



Our Technology is in a League of its Own
 ...Innovation that will enable New Experiences at Sports Venues!



With Enhanced Glare-Free Illumination and various Beam Spreads, AEON Minimizes Shadows and Provides Crisp Illumination of the Playing Surface, Heightening the Drama of each Play and avoiding any Uncomfortable Sensation or Visual Discomfort for the Athletes, Players or the Spectators. AEON's Proprietary Optics produce the Ideal Light Distribution and Beam Angles for Sports Lighting, all while saving you up to 65% in Energy use compared to Traditional Sports Lighting.

Engineered with State-of-the-Art technology for Efficiency, Glare Control, and Uniformity, the AEON is ideal for 4K/HDTV Broadcasting, Digital Photography and Flicker-free Slow-Motion Recording for Optimal Television and Live Audience Viewing. The AEON features High Energy Efficiency, Instant On/Off, Dimming, Full Controllability, and Complete Flexibility while providing Seamless Flicker-Free Lighting.

Designed for Municipal, High School, Collegiate, Recreational and Professional Indoor and Outdoor Sports Venues and Outdoor Stadium Lighting, the AEON delivers Simple, Smart and Easy-to-use Sports Lighting Solutions that provide Advanced Functionality, Versatility and Operational Efficiency.



SAVE UP TO
65%
 ON YOUR
 ENERGY COSTS

**Illuminating facts about High Performance AEON™ LED Sports Light
 Better for your Eyes, Better for the Planet.**

**What makes the AEON™ LED Sports Light
 your Lighting Solution of Choice?**

The Ultimate Sports Light for Versatility. The Unmatched Player, Fan and Broadcast Experience allows both Venue Spectators and Viewers at Home new ways to View and Experience the Emotion, Excitement and Atmosphere of the Sport.

- The most powerful Sports Luminaire with the Highest Reliability Level: Incredibly High 95% Total Efficiency and with the Highest Efficacy in its own Class: 140 Delivered LpW. More Light with Fewer Fixtures.
- Heavy-duty, Lightweight and Durable Die-Cast Design for High Wear Resistance: Withstands Harsh, Extreme Outdoor Conditions and Corrosive Environments.
- Proprietary Thermal Efficient Design with Passive Cooling Maximizes Heat Dissipation for Longer Life of the Luminaire. Designed for Greater Life Expectancy in Warmer Climates.
- Patented Revolutionary Aerodynamic Design for Minimal Wind Resistance.
- State-of-the-Art, Aesthetically Pleasant Compact Design with No Exposed Electronics or Wiring. Rugged, Weather-tight Design, IP67 Rated for Wet location.
- Patented Cross-Vent Convection Design for Longer Life of LED Package and Electronic Components.
- Adjustable in 15° Increments: 0-90° Orient and 270° Tilt Angle.
- Scalable LED Modules in NEMA 2, 3, 4, 5 and 6 Beam Spreads allows for Optimized Configuration for different Sports and Class of Play.
- Proprietary Glare-Free Illumination: No Uncomfortable Sensation or Visual Discomfort for the Players, Spectators and for Broadcast. UGR <19.
- Precise, Custom-engineered Optics with Controlled Intensity and Uniformity: Excellent for HDTV Broadcasting, Slow-Motion Flicker-free Recording and Digital Photography. Maintains Consistent Delivered Foot Candles over the Luminaries life.
- High Color Rendition showing True Colors: CRI >85.
- Proprietary Design offers Uniform and Constant Light Levels throughout the Life of the Luminaire with Minimal Lumen Depreciation.
- Avoids Light Pollution and Trespass: Optical Accuracy. Directs Light precisely where needed without any Spillage.
- Advance Technology for Luminaire Longevity: Integrated Power Supply Operates at Lower Temperature and at incredible 95% Efficiency.
- Technology within the Fixture: No Outside Exposure to any Sensitive Electronic Components.
- Operational Flexibility: Adaptable to Various Intelligent Lighting Controls: Wired or Wireless, Wi-Fi, Bluetooth, Zigbee, Dali, Air/Mesh Networks, Hybrid Networked Lighting Controls, etc.
- Ultra-Low EMI eliminates Electrical Interference with surrounding Electronic Systems.



**Proprietary
 & Patented
 Designs!**

5 Popular Lumen Packages to Suit a Variety of Indoor and Outdoor Sports:

230W:	33,100lm (~500W HID)
310W:	44,100lm (~750W HID)
440W:	62,100lm (~1000W HID)
520W:	73,500lm (~1500W HID)
750W:	105,000lm (~2000W HID)

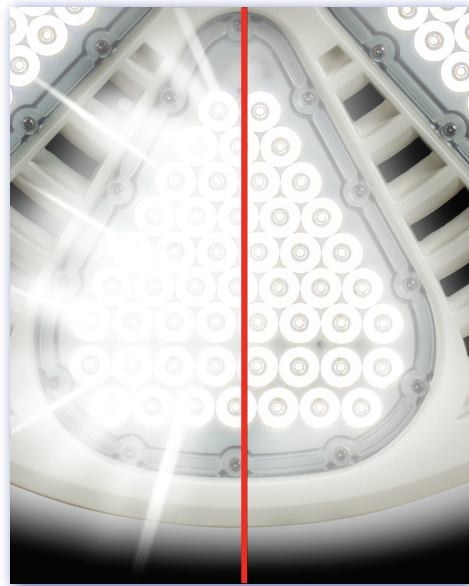


Enjoy a Drastic Reduction in your Monthly Utility Bill and Eliminate Costly Maintenance Expenses. AEON™...a Favorable Impact on your Bottom-line.

- Rugged, Durable and Compact Luminaire stands up to the most demanding Elements and is Excellent for use in Hot & Humid Climates and Suitable for use in Corrosive Environments.
- UV Stabilized Electrostatic Finish and Stainless Steel Hardware to withstand Extreme Outdoor Conditions.
- Incredibly Long-Life Span of over 100,000 Hours.
- Simple, Reliable, and Affordable, Maintenance-free Design.
- Advanced Functionality and User Friendly with Quick Connect System: Lenses, Modules and Drivers are Field-Changeable.
- Solid-State: No Moving Parts. Ideal for High Vibration Areas (ANSI C136.31, 3G Rated).
- Standard Included: Instant On/Off, Continuous Dimming, 6 ft. Prewired Sheathed Cord, Hoist Hook, Glare Shield, Laser Pointer with Mount for Precise Point Aiming.
- Several Mounting Options: Yoke, Pendant or Hook.
- Multi-Voltage: Available in 100-277VAC and 347-480VAC.
- 10kV Inline Surge Protection against Over Voltage, Short Circuit, and Over Temperature.
- Suitable for Ambient Temperatures: -40°F~+131°F (-40°C~+55°C).
- RoHS Compliant: No Lead, Mercury, Toxic Gases or any Hazardous Materials. Facilitates LEED® points.
- Environmentally Friendly: 98% Recyclable.
- Neighborhood-Friendly: No Spillage or Sky Glow.
- Save Labor Cost Significantly: Quick & Easy Installation Process.
- Tool-less Entry allows for Easy Installation and Maintenance.
- Low Total Cost of Ownership. Shortest Payback Period and a High ROI.
- Meets/Exceeds National and International Standards


AEON Model	Watts	Delivered Lumens	HID Equivalent	Energy Savings	Weight	EPA (Sq. Ft.)
HL-AS-230WD	230W	33,100	500W	54%	28 lbs.	1.7
HL-AS-310WD	310W	44,100	750W	59%	33 lbs.	1.7
HL-AS-440WD	440W	62,100	1000W	56%	42 lbs.	2.2
HL-AS-520WD	520W	73,500	1500W	65%	48 lbs.	2.2
HL-AS-750WD	750W	105,000	2000W	63%	68 lbs.	3.0

* Does not include Ballast Loss, Maintenance, Replacement Lamp Savings and Disposal Costs which amount to an additional Savings of 30~50%!



Standard LED Optics

AEON™ Proprietary Glare-Free LED Optics

Multi-Voltage Options

 100-277VAC / 347-480VAC

2-for-1 Replacement. More Light Less Luminaires

5 Popular Lumen Packages

- Scalable LED Modules in NEMA 2, 3, 4, 5 and 6 Beam Spreads allows for Optimized Configuration for different Sports and Class of Play
- Various Delivered Lumen Packages to suit a Variety of Indoor and Outdoor Sports



230WD - NEMA 2		
Distance	Max FC	Beam Diameter
10 ft.	2562	2.3 ft.
20 ft.	641	4.6 ft.
30 ft.	285	6.9 ft.
40 ft.	160	9.3 ft.
50 ft.	103	11.6 ft.

Beam Angle: 14°
Field Angle: 25°

230WD - NEMA 3		
Distance	Max FC	Beam Diameter
10 ft.	1363	4.0 ft.
20 ft.	341	8.0 ft.
30 ft.	151	11.9 ft.
40 ft.	85	15.9 ft.
50 ft.	55	19.9 ft.

Beam Angle: 23°
Field Angle: 43°

230WD - NEMA 4		
Distance	Max FC	Beam Diameter
10 ft.	869	5.3 ft.
20 ft.	217	10.6 ft.
30 ft.	97	15.9 ft.
40 ft.	54	21.2 ft.
50 ft.	35	26.6 ft.

Beam Angle: 30°
Field Angle: 64°

230WD - NEMA 5		
Distance	Max FC	Beam Diameter
10 ft.	632	6.1 ft.
20 ft.	158	12.1 ft.
30 ft.	70	18.2 ft.
40 ft.	40	24.3 ft.
50 ft.	25	30.3 ft.

Beam Angle: 35°
Field Angle: 80°

230WD - NEMA 6		
Distance	Max FC	Beam Diameter
10 ft.	346	8.0 ft.
20 ft.	87	16.1 ft.
30 ft.	39	24.1 ft.
40 ft.	22	32.1 ft.
50 ft.	14	40.2 ft.

Beam Angle: 45°
Field Angle: 114°

310WD - NEMA 2		
Distance	Max FC	Beam Diameter
10 ft.	3487	2.2 ft.
20 ft.	872	4.4 ft.
30 ft.	387	6.7 ft.
40 ft.	218	8.9 ft.
50 ft.	140	11.1 ft.

Beam Angle: 14°
Field Angle: 24°

310WD - NEMA 3		
Distance	Max FC	Beam Diameter
10 ft.	1831	3.8 ft.
20 ft.	458	7.6 ft.
30 ft.	204	11.4 ft.
40 ft.	115	15.2 ft.
50 ft.	73	19.0 ft.

Beam Angle: 22°
Field Angle: 42°

310WD - NEMA 4		
Distance	Max FC	Beam Diameter
10 ft.	1153	5.2 ft.
20 ft.	288	10.5 ft.
30 ft.	128	15.7 ft.
40 ft.	72	20.9 ft.
50 ft.	46	26.2 ft.

Beam Angle: 30°
Field Angle: 64°

310WD - NEMA 5		
Distance	Max FC	Beam Diameter
10 ft.	853	6.0 ft.
20 ft.	213	12.0 ft.
30 ft.	95	18.0 ft.
40 ft.	53	24.0 ft.
50 ft.	34	30.0 ft.

Beam Angle: 34°
Field Angle: 80°

310WD - NEMA 6		
Distance	Max FC	Beam Diameter
10 ft.	467	8.0 ft.
20 ft.	117	16.1 ft.
30 ft.	52	24.1 ft.
40 ft.	29	32.2 ft.
50 ft.	19	40.2 ft.

Beam Angle: 45°
Field Angle: 114°

440WD - NEMA 2		
Distance	Max FC	Beam Diameter
33 ft.	375	7.4 ft.
66 ft.	94	14.7 ft.
99 ft.	42	22.1 ft.
133 ft.	23	29.4 ft.
200 ft.	10	44.2 ft.

Beam Angle: 13°
Field Angle: 24°

440WD - NEMA 3		
Distance	Max FC	Beam Diameter
33 ft.	187	12.5 ft.
66 ft.	47	25.0 ft.
99 ft.	21	37.4 ft.
133 ft.	12	49.9 ft.
200 ft.	5	74.8 ft.

Beam Angle: 22°
Field Angle: 45°

440WD - NEMA 4		
Distance	Max FC	Beam Diameter
33 ft.	180	14.9 ft.
66 ft.	45	29.8 ft.
99 ft.	20	44.6 ft.
133 ft.	11	59.5 ft.
200 ft.	5	89.3 ft.

Beam Angle: 26°
Field Angle: 58°

440WD - NEMA 5		
Distance	Max FC	Beam Diameter
33 ft.	93	22.8 ft.
66 ft.	23	45.6 ft.
99 ft.	10	68.4 ft.
133 ft.	6	91.2 ft.
200 ft.	3	136.9 ft.

Beam Angle: 39°
Field Angle: 80°

440WD - NEMA 6		
Distance	Max FC	Beam Diameter
33 ft.	55	27.3 ft.
66 ft.	14	54.5 ft.
99 ft.	6	81.8 ft.
133 ft.	3	109.1 ft.
200 ft.	2	163.6 ft.

Beam Angle: 45°
Field Angle: 115°

520WD - NEMA 2		
Distance	Max FC	Beam Diameter
33 ft.	416	7.3 ft.
66 ft.	104	14.6 ft.
99 ft.	46	21.9 ft.
133 ft.	26	29.2 ft.
200 ft.	12	43.8 ft.

Beam Angle: 13°
Field Angle: 24°

520WD - NEMA 3		
Distance	Max FC	Beam Diameter
33 ft.	221	12.8 ft.
66 ft.	55	25.6 ft.
99 ft.	25	38.4 ft.
133 ft.	14	51.2 ft.
200 ft.	6	76.7 ft.

Beam Angle: 22°
Field Angle: 45°

520WD - NEMA 4		
Distance	Max FC	Beam Diameter
33 ft.	213	15.1 ft.
66 ft.	53	30.2 ft.
99 ft.	24	45.3 ft.
133 ft.	13	60.4 ft.
200 ft.	6	90.6 ft.

Beam Angle: 26°
Field Angle: 58°

520WD - NEMA 5		
Distance	Max FC	Beam Diameter
33 ft.	110	22.7 ft.
66 ft.	28	45.4 ft.
99 ft.	12	68.1 ft.
133 ft.	7	90.9 ft.
200 ft.	3	136.3 ft.

Beam Angle: 38°
Field Angle: 80°

520WD - NEMA 6		
Distance	Max FC	Beam Diameter
33 ft.	66	27.3 ft.
66 ft.	17	54.5 ft.
99 ft.	7	81.8 ft.
133 ft.	4	109.0 ft.
200 ft.	2	163.5 ft.

Beam Angle: 45°
Field Angle: 114°

750WD - NEMA 2		
Distance	Max FC	Beam Diameter
33 ft.	501	8.2 ft.
66 ft.	125	16.4 ft.
133 ft.	31	32.8 ft.
200 ft.	14	49.2 ft.
300 ft.	6	73.7 ft.

Beam Angle: 14°
Field Angle: 27°

750WD - NEMA 3		
Distance	Max FC	Beam Diameter
33 ft.	278	12.7 ft.
66 ft.	70	25.5 ft.
133 ft.	17	51.0 ft.
200 ft.	8	76.5 ft.
300 ft.	4	114.7 ft.

Beam Angle: 23°
Field Angle: 46°

750WD - NEMA 4		
Distance	Max FC	Beam Diameter
33 ft.	305	15.1 ft.
66 ft.	76	30.2 ft.
133 ft.	19	60.3 ft.
200 ft.	9	90.4 ft.
300 ft.	4	135.7 ft.

Beam Angle: 26°
Field Angle: 57°

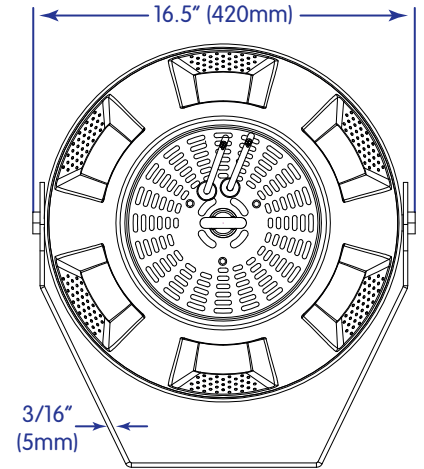
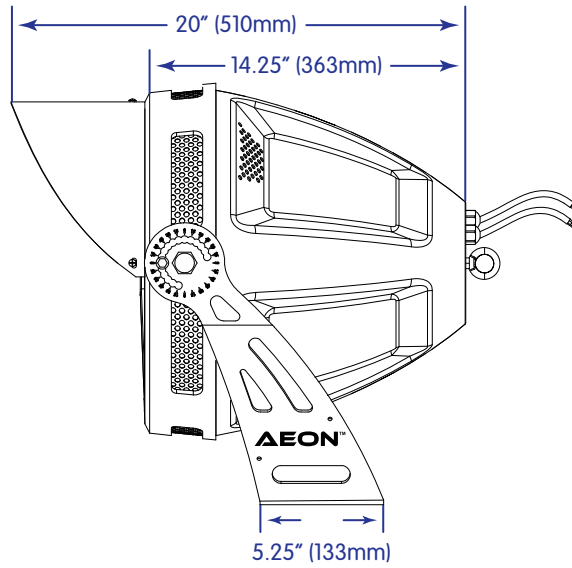
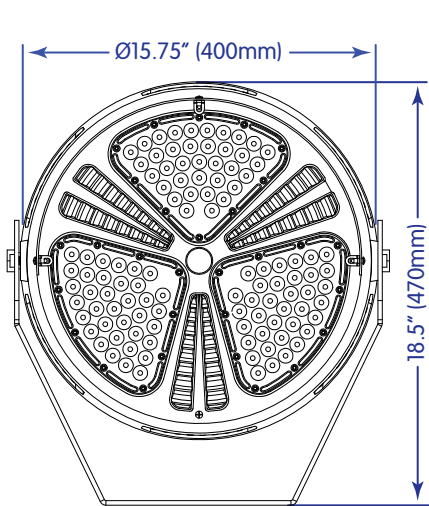
750WD - NEMA 5		
Distance	Max FC	Beam Diameter
33 ft.	158	22.5 ft.
66 ft.	39	45.0 ft.
133 ft.	10	89.9 ft.
200 ft.	4	134.9 ft.
300 ft.	2	202.3 ft.

Beam Angle: 39°
Field Angle: 81°

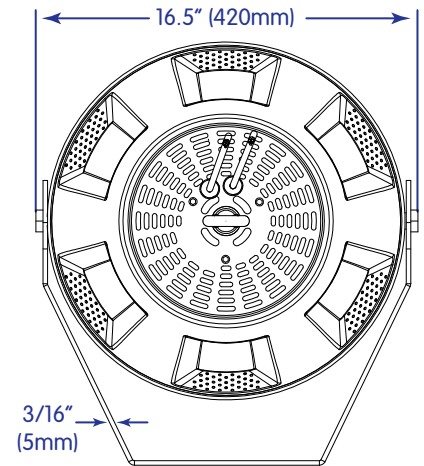
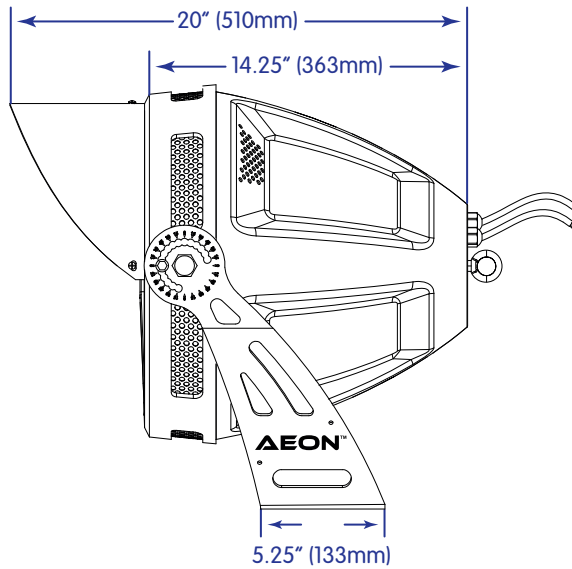
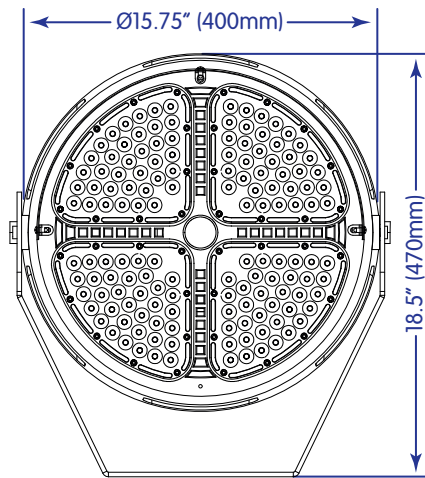
750WD - NEMA 6		
Distance	Max FC	Beam Diameter
33 ft.	90	27.6 ft.
66 ft.	22	55.1 ft.
133 ft.	6	110.3 ft.
200 ft.	3	165.4 ft.
300 ft.	1	248.1 ft.

Beam Angle: 46°
Field Angle: 119°

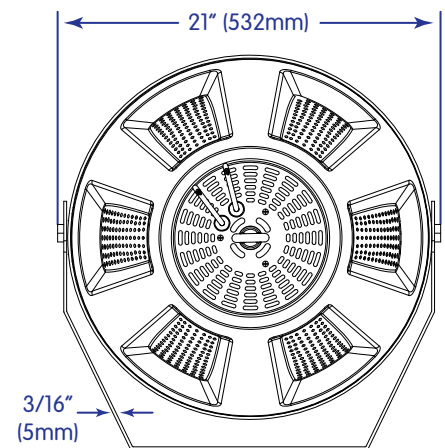
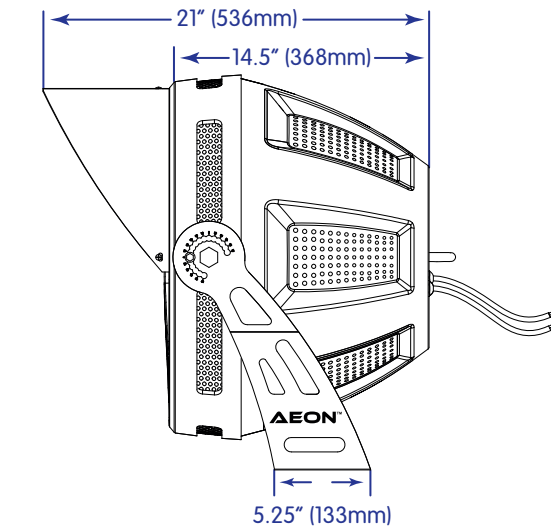
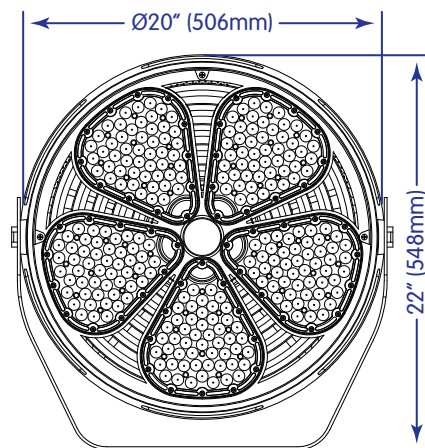
HL-AS-230WD



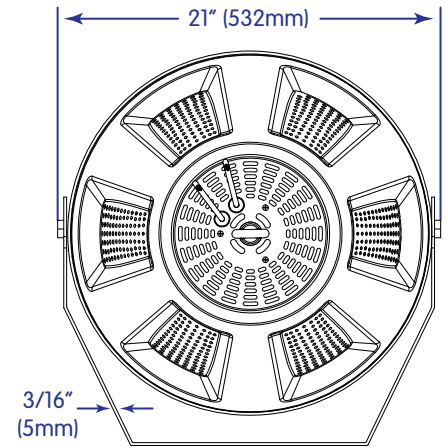
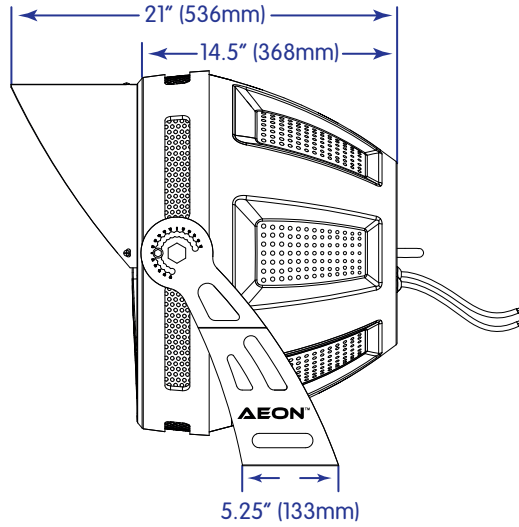
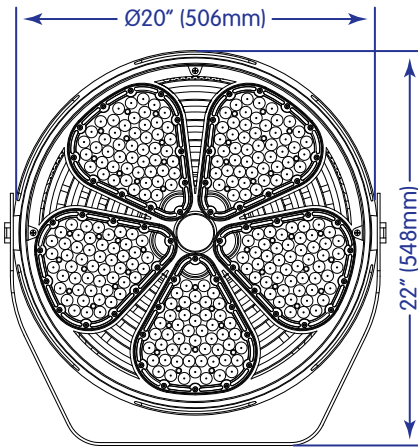
HL-AS-310WD



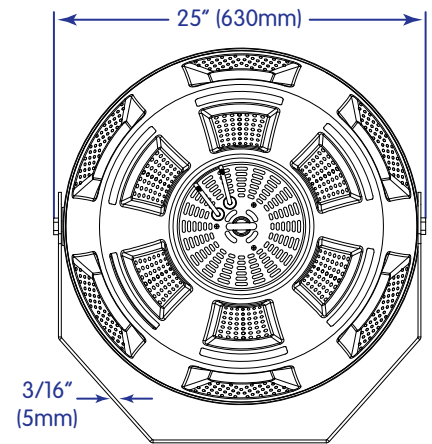
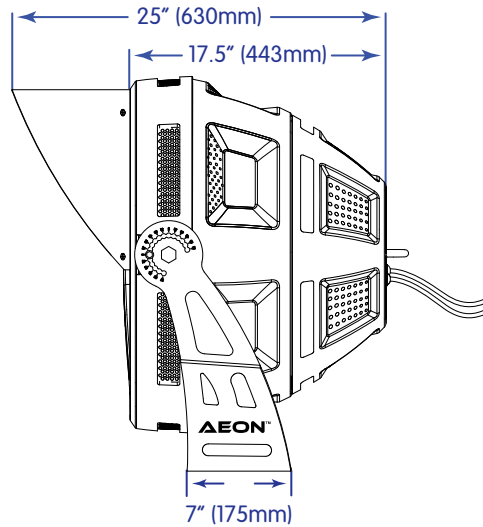
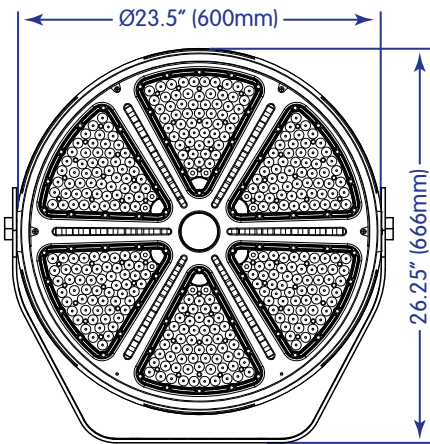
HL-AS-440WD



HL-AS-520WD



HL-AS-750WD



98%
RECYCLABLE



NO
LEAD, MERCURY, TOXIC GASES
OR HEAVY METALS

As part of the company's continuous product improvement program, HyLite reserves the right to change materials or modify the design of its product without notification. All Specifications subject to change without notice. All values are design and/or typical values when measured under laboratory conditions. Actual Values depend upon the ambient temperature of the installation location.

Please consult factory for your specific requirements.