

With Enhanced Glare-Free Illumination and various Beam Spreads, AEON Provides Crisp Illumination, avoiding any Visual Discomfort. AEON's Proprietary Optics produce the Ideal Light Distribution and Beam Angles for Variety of Flood Lighting applications, while saving you up to 83% in Energy use compared to Traditional Lighting.

Engineered with State-of-the-Art technology for Efficiency, Glare Control, and Uniformity, the AEON features Instant On/Off, Dimming, Full Controllability, High Energy Efficiency, Flicker-Free Lighting and Complete Flexibility.

The AEON delivers Simple, Smart and Easy-to-use Flood Lighting Solutions that provide Advanced Functionality, Versatility and Operational Efficiency.



5 Popular Lumen Packages:

- 230W: 33,100lm (~1000W HID)
- 310W: 44,100lm (~1500W HID)
- 440W: 62,100lm (~2000W HID)
- 520W: 73,500lm (~3000W HID)
- 750W: 105,000lm (~4000W HID)

SAVE UP TO
83%
ON YOUR
ENERGY COSTS

Illuminating facts about High Performance AEON™ LED Flood Light Better for your Eyes, Better for the Planet.

What makes the AEON™ LED Flood Light your Lighting Solution of Choice?

- The most powerful Flood Light Luminaire with the Highest Reliability Level: Incredibly High 95% Total Efficiency and with the Highest Efficacy in its own Class: Up to 140 Delivered LpW. More Light with Fewer Fixtures.
- Heavy-duty, Lightweight and Durable Die-Cast Design for High Wear Resistance: Withstands Harsh, Extreme Outdoor Conditions and Corrosive Environments.
- Proprietary Thermal Efficient Design with Passive Cooling Maximizes Heat Dissipation for Longer Life of the Luminaire. Designed for Greater Life Expectancy in Warmer Climates.
- Patented Revolutionary Aerodynamic Design for Minimal Wind Resistance.
- State-of-the-Art, Aesthetically Pleasant Compact Design with No Exposed Electronics or Wiring. Rugged, Weather-tight Design, IP67 Rated for Wet location.
- Patented Cross-Vent Convection Design for Longer Life of LED Package and Electronics.
- Adjustable in 15° Increments: 0-90° Orient and 270° Tilt Angle.
- Scalable LED Modules in NEMA 2, 3, 4, 5 and 6 Beam Spreads allows for Optimized Configuration for different applications.
- Proprietary Glare-Free Illumination: No Visual Discomfort. UGR <19.
- Precise, Custom-engineered Optics with Controlled Intensity and Uniformity: Maintains Consistent Delivered Foot Candles over the Luminaries life.
- High Color Rendition showing True Colors: CRI >85.
- Proprietary Design offers Uniform and Constant Light Levels throughout the Life of the Luminaire with Minimal Lumen Depreciation.
- Avoids Light Pollution and Trespass: Optical Accuracy. Directs Light precisely where needed without any Spillage.
- Advance Technology for Luminaire Longevity: Integrated Power Supply Operates at Lower Temperature and at incredible 95% Efficiency.
- Technology within the Fixture: No Outside Exposure to any Sensitive Electronic Components.
- Operational Flexibility: Adaptable to Various Intelligent Lighting Controls: Wired or Wireless, Wi-Fi, Bluetooth, Zigbee, Dali, AirMesh Networks, Hybrid Networked Lighting Controls, etc.
- Ultra-Low EMI eliminates Electrical Interference with surrounding Electronic Systems.
- Ideal for HDTV Broadcasting, Digital Photography and Flicker-free Slow-Motion Recording for Optimal Television and Security Viewing.
- IP67 - Complete Protection against Dust, Debris and Water Infiltration.



98%
RECYCLABLE



NO

LEAD, MERCURY, TOXIC GASES OR HEAVY METALS

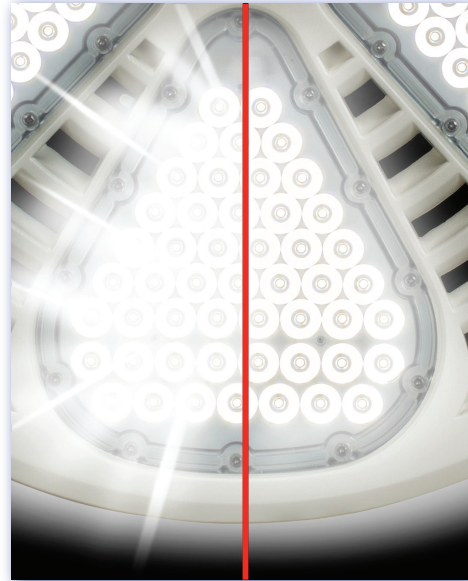
AEON™ Flood Light

Enjoy a Drastic Reduction in your Monthly Utility Bill and Eliminate Costly Maintenance Expenses. AEON™...a Favorable Impact on your Bottom-line.

- Rugged, Durable and Compact Luminaire stands up to the most demanding Elements and is Excellent for use in Hot & Humid Climates and Suitable for use in Corrosive Environments.
- UV Stabilized Electrostatic Finish and Stainless Steel Hardware to withstand Extreme Outdoor Conditions.
- Incredibly Long-Life Span of over 100,000 Hours.
- Simple, Reliable, and Affordable, Maintenance-free Design.
- Advanced Functionality and User Friendly with Quick Connect System: Lenses, Modules and Drivers are Field-Changeable.
- Solid-State: No Moving Parts. Ideal for High Vibration Areas (ANSI C136.31, 3G Rated).
- Standard Included: Instant On/Off, Continuous Dimming, 6 ft. Prewired Sheathed Cord, Hoist Hook.
- Several Mounting Options: Yoke, Pendant or Hook.
- Multi-Voltage: Available in 100-277VAC and 347-480VAC.
- 10kV Inline Surge Protection against Over Voltage, Short Circuit, and Over Temperature.
- Suitable for Ambient Temperatures: -40°F~+131°F (-40°C~+55°C).
- RoHS Compliant: No Lead, Mercury, Toxic Gases or any Hazardous Materials. Facilitates LEED® points.
- Environmentally Friendly: 98% Recyclable.
- Neighborhood-Friendly: No Spillage or Sky Glow.
- Save Labor Cost Significantly: Quick & Easy Installation Process.
- Tool-less Entry allows for Easy Installation and Maintenance.
- Low Total Cost of Ownership. Shortest Payback Period and a High ROI.
- Meets/Exceeds National and International Standards

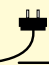
HyLite Model	Watts	Delivered Lumens	HID Equivalent	Energy Savings	Weight	EPA (Sq. Ft.)
HL-AF-230WD	230W	33,100	1000W	77%	27 lbs.	1.6
HL-AF-310WD	310W	44,100	1500W	79%	32 lbs.	1.6
HL-AF-440WD	440W	62,100	2000W	78%	41 lbs.	2.2
HL-AF-520WD	520W	73,500	3000W	83%	47 lbs.	2.2
HL-AF-750WD	750W	105,000	4000W	81%	67 lbs.	3.0

* Does not include Ballast Loss, Maintenance, Replacement Lamp Savings and Disposal Costs which amount to an additional Savings of 30-50%!



Standard LED Optics

AEON™
Proprietary
Glare-Free
LED Optics

Multi-Voltage Options 
100-277VAC / 347-480VAC

**2-for-1
Replacement.
More Light
Less Fixtures**



5 Popular Lumen Packages

- Scalable LED Modules in NEMA 2, 3, 4, 5 and 6 Beam Spreads allows for Optimized Configuration for different Sports and Class of Play
- Various Delivered Lumen Packages to suit a Variety of Indoor and Outdoor Sports



230WD - NEMA 2

Distance	Max FC	Beam Diameter
10 ft.	2562	2.3 ft.
20 ft.	641	4.6 ft.
30 ft.	285	6.9 ft.
40 ft.	160	9.3 ft.
50 ft.	103	11.6 ft.

Beam Angle: 14°
Field Angle: 25°

230WD - NEMA 3

Distance	Max FC	Beam Diameter
10 ft.	1363	4.0 ft.
20 ft.	341	8.0 ft.
30 ft.	151	11.9 ft.
40 ft.	85	15.9 ft.
50 ft.	55	19.9 ft.

Beam Angle: 23°
Field Angle: 43°

230WD - NEMA 4

Distance	Max FC	Beam Diameter
10 ft.	869	5.3 ft.
20 ft.	217	10.6 ft.
30 ft.	97	15.9 ft.
40 ft.	54	21.2 ft.
50 ft.	35	26.6 ft.

Beam Angle: 30°
Field Angle: 64°

230WD - NEMA 5

Distance	Max FC	Beam Diameter
10 ft.	632	6.1 ft.
20 ft.	158	12.1 ft.
30 ft.	70	18.2 ft.
40 ft.	40	24.3 ft.
50 ft.	25	30.3 ft.

Beam Angle: 35°
Field Angle: 80°

230WD - NEMA 6

Distance	Max FC	Beam Diameter
10 ft.	346	8.0 ft.
20 ft.	87	16.1 ft.
30 ft.	39	24.1 ft.
40 ft.	22	32.1 ft.
50 ft.	14	40.2 ft.

Beam Angle: 45°
Field Angle: 114°

310WD - NEMA 2

Distance	Max FC	Beam Diameter
10 ft.	3487	2.2 ft.
20 ft.	872	4.4 ft.
30 ft.	387	6.7 ft.
40 ft.	218	8.9 ft.
50 ft.	140	11.1 ft.

Beam Angle: 14°
Field Angle: 24°

310WD - NEMA 3

Distance	Max FC	Beam Diameter
10 ft.	1831	3.8 ft.
20 ft.	458	7.6 ft.
30 ft.	204	11.4 ft.
40 ft.	115	15.2 ft.
50 ft.	73	19.0 ft.

Beam Angle: 22°
Field Angle: 42°

310WD - NEMA 4

Distance	Max FC	Beam Diameter
10 ft.	1153	5.2 ft.
20 ft.	288	10.5 ft.
30 ft.	128	15.7 ft.
40 ft.	72	20.9 ft.
50 ft.	46	26.2 ft.

Beam Angle: 30°
Field Angle: 64°

310WD - NEMA 5

Distance	Max FC	Beam Diameter
10 ft.	853	6.0 ft.
20 ft.	213	12.0 ft.
30 ft.	95	18.0 ft.
40 ft.	53	24.0 ft.
50 ft.	34	30.0 ft.

Beam Angle: 34°
Field Angle: 80°

310WD - NEMA 6

Distance	Max FC	Beam Diameter
10 ft.	467	8.0 ft.
20 ft.	117	16.1 ft.
30 ft.	52	24.1 ft.
40 ft.	29	32.2 ft.
50 ft.	19	40.2 ft.

Beam Angle: 45°
Field Angle: 114°

440WD - NEMA 2

Distance	Max FC	Beam Diameter
33 ft.	375	7.4 ft.
66 ft.	94	14.7 ft.
99 ft.	42	22.1 ft.
133 ft.	23	29.4 ft.
200 ft.	10	44.2 ft.

Beam Angle: 13°
Field Angle: 24°

440WD - NEMA 3

Distance	Max FC	Beam Diameter
33 ft.	187	12.5 ft.
66 ft.	47	25.0 ft.
99 ft.	21	37.4 ft.
133 ft.	12	49.9 ft.
200 ft.	5	74.8 ft.

Beam Angle: 22°
Field Angle: 45°

440WD - NEMA 4

Distance	Max FC	Beam Diameter
33 ft.	180	14.9 ft.
66 ft.	45	29.8 ft.
99 ft.	20	44.6 ft.
133 ft.	11	59.5 ft.
200 ft.	5	89.3 ft.

Beam Angle: 26°
Field Angle: 58°

440WD - NEMA 5

Distance	Max FC	Beam Diameter
33 ft.	93	22.8 ft.
66 ft.	23	45.6 ft.
99 ft.	10	68.4 ft.
133 ft.	6	91.2 ft.
200 ft.	3	136.9 ft.

Beam Angle: 39°
Field Angle: 80°

440WD - NEMA 6

Distance	Max FC	Beam Diameter
33 ft.	55	27.3 ft.
66 ft.	14	54.5 ft.
99 ft.	6	81.8 ft.
133 ft.	3	109.1 ft.
200 ft.	2	163.6 ft.

Beam Angle: 45°
Field Angle: 115°

520WD - NEMA 2

Distance	Max FC	Beam Diameter
33 ft.	416	7.3 ft.
66 ft.	104	14.6 ft.
99 ft.	46	21.9 ft.
133 ft.	26	29.2 ft.
200 ft.	12	43.8 ft.

Beam Angle: 13°
Field Angle: 24°

520WD - NEMA 3

Distance	Max FC	Beam Diameter
33 ft.	221	12.8 ft.
66 ft.	55	25.6 ft.
99 ft.	25	38.4 ft.
133 ft.	14	51.2 ft.
200 ft.	6	76.7 ft.

Beam Angle: 22°
Field Angle: 45°

520WD - NEMA 4

Distance	Max FC	Beam Diameter
33 ft.	213	15.1 ft.
66 ft.	53	30.2 ft.
99 ft.	24	45.3 ft.
133 ft.	13	60.4 ft.
200 ft.	6	90.6 ft.

Beam Angle: 26°
Field Angle: 58°

520WD - NEMA 5

Distance	Max FC	Beam Diameter
33 ft.	110	22.7 ft.
66 ft.	28	45.4 ft.
99 ft.	12	68.1 ft.
133 ft.	7	90.9 ft.
200 ft.	3	136.3 ft.

Beam Angle: 38°
Field Angle: 80°

520WD - NEMA 6

Distance	Max FC	Beam Diameter
33 ft.	66	27.3 ft.
66 ft.	17	54.5 ft.
99 ft.	7	81.8 ft.
133 ft.	4	109.0 ft.
200 ft.	2	163.5 ft.

Beam Angle: 45°
Field Angle: 114°

750WD - NEMA 2

Distance	Max FC	Beam Diameter
33 ft.	501	8.2 ft.
66 ft.	125	16.4 ft.
133 ft.	31	32.8 ft.
200 ft.	14	49.2 ft.
300 ft.	6	73.7 ft.

Beam Angle: 14°
Field Angle: 27°

750WD - NEMA 3

Distance	Max FC	Beam Diameter
33 ft.	278	12.7 ft.
66 ft.	70	25.5 ft.
133 ft.	17	51.0 ft.
200 ft.	8	76.5 ft.
300 ft.	4	114.7 ft.

Beam Angle: 23°
Field Angle: 46°

750WD - NEMA 4

Distance	Max FC	Beam Diameter
33 ft.	305	15.1 ft.
66 ft.	76	30.2 ft.
133 ft.	19	60.3 ft.
200 ft.	9	90.4 ft.
300 ft.	4	135.7 ft.

Beam Angle: 26°
Field Angle: 57°

750WD - NEMA 5

Distance	Max FC	Beam Diameter
33 ft.	158	22.5 ft.
66 ft.	39	45.0 ft.
133 ft.	10	89.9 ft.
200 ft.	4	134.9 ft.
300 ft.	2	202.3 ft.

Beam Angle: 39°
Field Angle: 81°

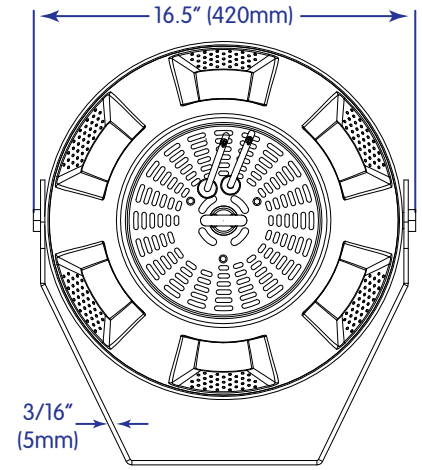
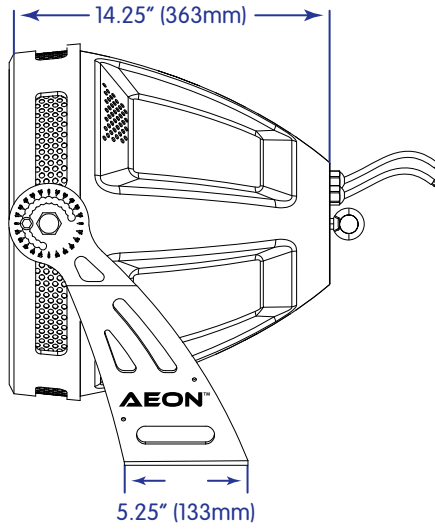
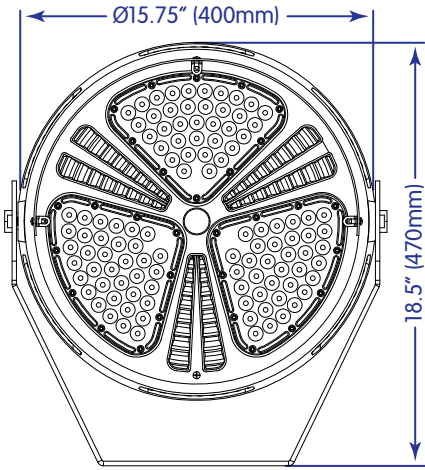
750WD - NEMA 6

Distance	Max FC	Beam Diameter
33 ft.	90	27.6 ft.
66 ft.	22	55.1 ft.
133 ft.	6	110.3 ft.
200 ft.	3	165.4 ft.
300 ft.	1	248.1 ft.

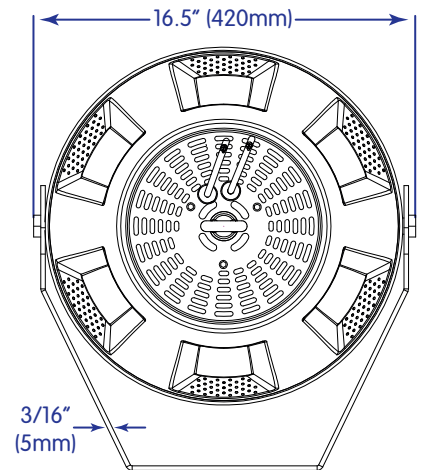
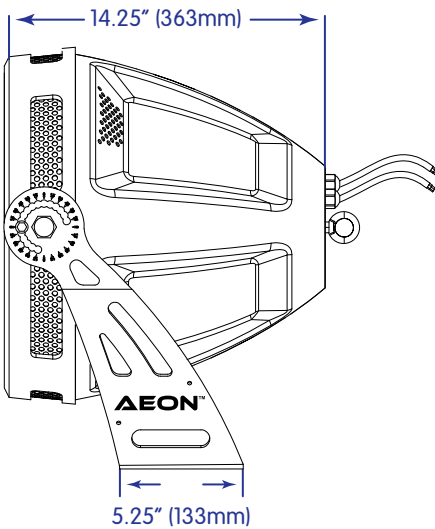
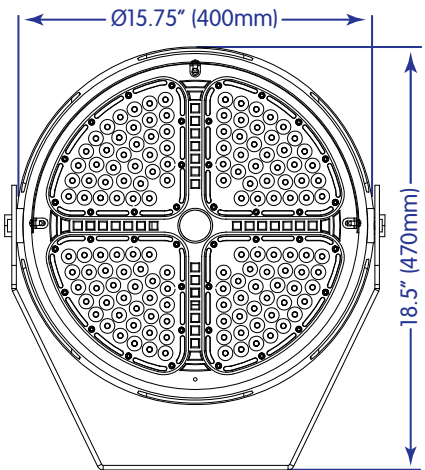
Beam Angle: 46°
Field Angle: 119°

AEON™ Flood Light

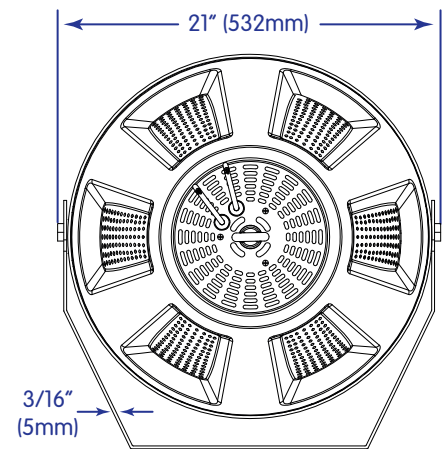
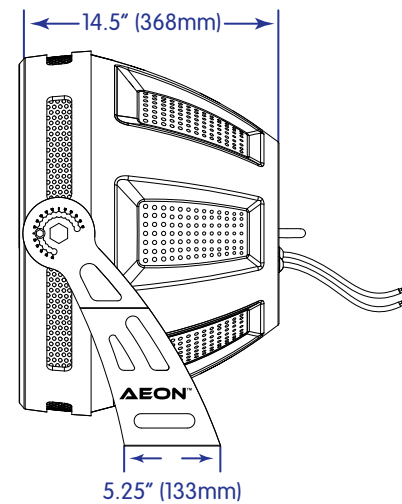
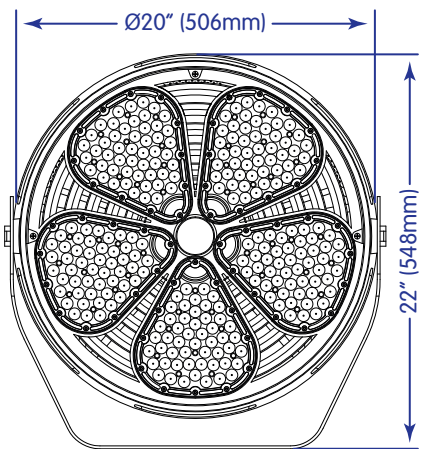
HL-AF-230WD



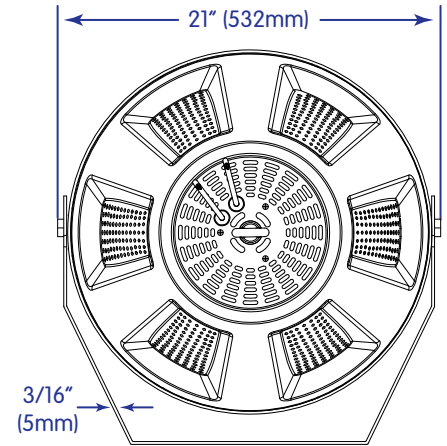
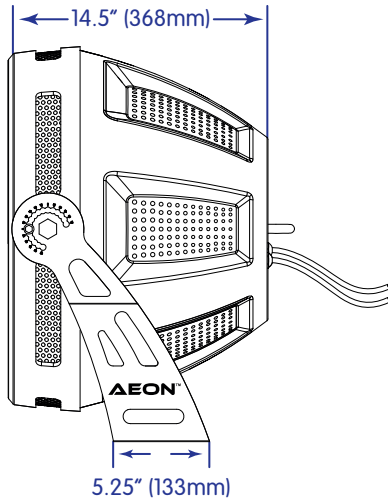
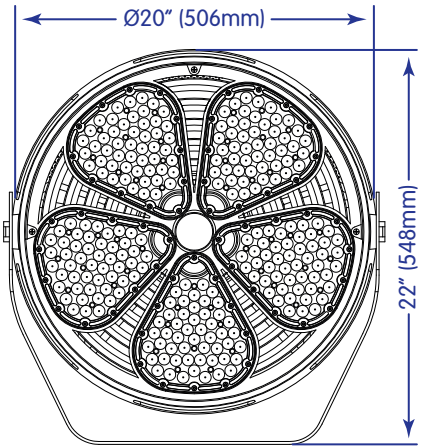
HL-AF-310WD



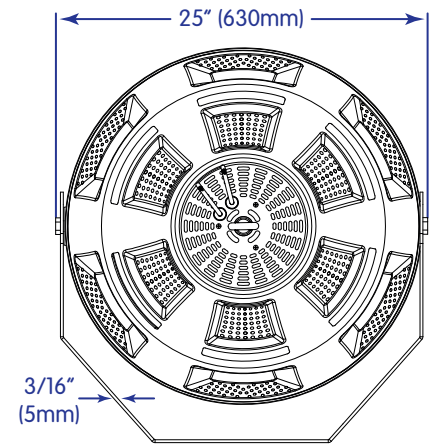
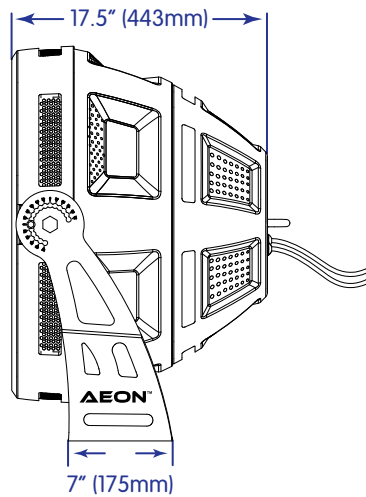
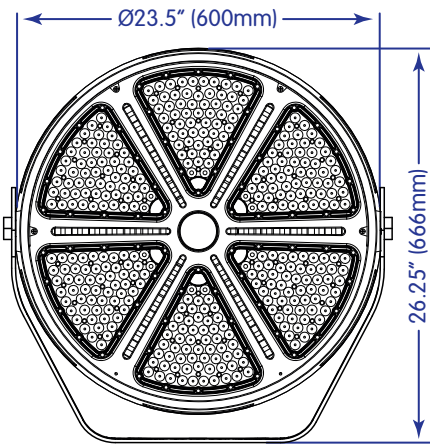
HL-AF-440WD



HL-AF-520WD



HL-AF-750WD



98%
RECYCLABLE



NO
LEAD, MERCURY, TOXIC GASES
OR HEAVY METALS

As part of the company's continuous product improvement program, HyLite reserves the right to change materials or modify the design of its product without notification. All Specifications subject to change without notice. All values are design and/or typical values when measured under laboratory conditions. Actual Values depend upon the ambient temperature of the installation location. Please consult factory for your specific requirements.