

With Enhanced Glare-Free Illumination and various Beam Spreads, AEON Luminaires Provides Crisp Illumination, avoiding any Visual Discomfort. AEON's Proprietary Optics produce Ideal Light Distribution and Beam Angles for a Variety of Lighting applications, while saving you up to 75% in Energy use compared to Traditional Lighting.

Engineered with State-of-the-Art technology for Glare Control, and Uniform Illumination, AEON Luminaires features Instant On/Off, Dimming, Full Controllability, High Energy Efficiency, Flicker-Free Lighting and Complete Flexibility.

AEON Luminaires delivers a Simple, Smart and Easy-to-use Indirect Lighting Solution to provide Advanced Functionality, Versatility and Operational Efficiency.

3 Popular Delivered Lumen Packages:

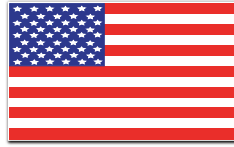
520W: 97,500 Lumens

750W: 126,500 Lumens

1200W: 185,700 Lumens



Designed, Engineered &



Assembled in the USA



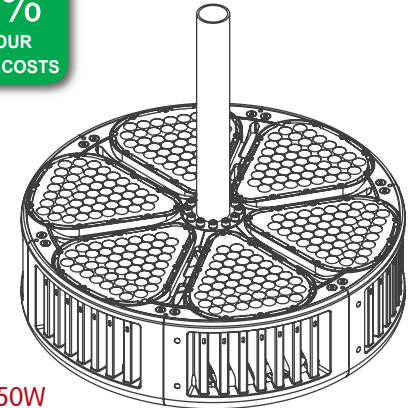
**Illuminating facts about High Performance AEON™ LED Indirect Light
Better for your Eyes, Better for the Planet.**

What makes the AEON™ LED Indirect Light your Lighting Solution of Choice?

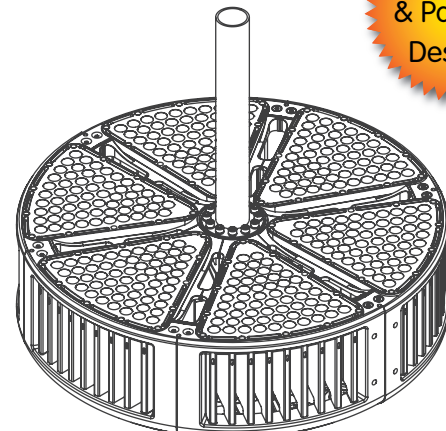
- The Most Powerful Luminaire with the Highest Reliability Level: Incredibly High (95%+) Total Efficiency and with the Highest Efficacy in its own Class: Up to 170+ Delivered LpW. Greater Light, Fewer Luminaires.
- Heavy-Duty, Lightweight and Durable Die-Cast Design for High Wear Resistance: Withstands Harsh, Extreme Outdoor Conditions and Corrosive Environments.
- Operational Flexibility: Adaptable to Various Intelligent Lighting Controls - Wired or Wireless, Wi-Fi, Bluetooth, Dali, Zhaga, DMX, Hybrid Networked Lighting Controls, etc.
- Technology within the Luminaire: No Outside Exposure to any Sensitive Electronic Components. Offers Advanced Functionality and User Friendly features with Quick Connect Wiring System. No Manual Wiring Required for Dimming or Controls - Saving Time and Labor for Installation.
- Scalable LED Modules in NEMA 2, 3, 4, 5 and 6 Beam Spreads allow for Optimized Configuration for a Variety of High Performance Applications.
- High Color Rendition showing True Colors: CRI >85+.
- Excellent for 4K, Ultra-HD and HDTV Broadcasting, Digital Photography and Flicker-free Slow-Motion Recording for Optimal Television Viewing.
- Proprietary Glare-Free Illumination: No Visual Discomfort. UGR <19.
- Optical Accuracy - Directs Light precisely where needed without any Light Spillage.
- Precise, Custom-engineered Optics with Controlled Intensity and Uniformity: Maintains Consistent Delivered Foot Candles over the Luminaires life with Minimal Lumen Depreciation.
- State-of-the-Art, Aesthetically Pleasing Compact Design with No Exposed Electronics. Rugged, Weather-tight Design, IP67 Rated for Wet location.
- Proprietary Thermal Efficient Design with Passive Cooling Maximizes Heat Dissipation for Longer Life of the Luminaire. Designed for Greater Life Expectancy in Warmer Climates.
- Patented Cross-Vent Convection Design for Longer Life of LED Package and Electronics.
- Variable Dimming Control: 0-10VDC
- Ultra-Low EMI (THD <20) eliminates Electrical Interference with surrounding sensitive Electronic Systems.
- User Friendly Features: Lenses, Modules and Drivers are Field-Changeable. Saves Time, Labor and Money....no need to replace the entire Luminaire!

NEXGEN
PRODUCTS

SAVE UP TO
75%
ON YOUR
ENERGY COSTS



520W & 750W



1200W

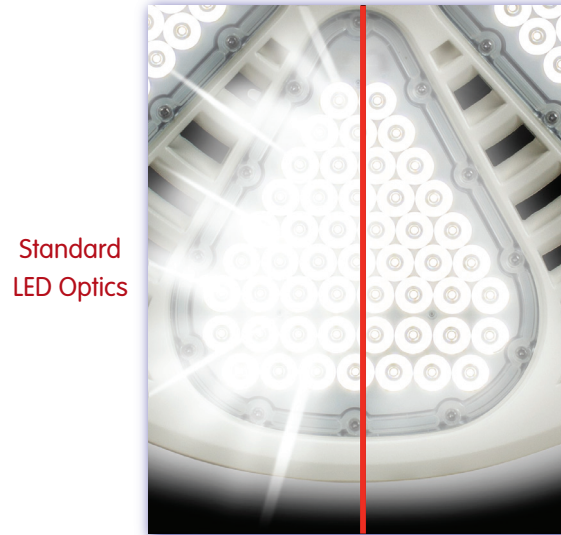
As part of the company's continuous product improvement program, HyLite reserves the right to change materials or modify the design of its product without notification. All Specifications subject to change without notice. All values are design and/or typical values when measured under laboratory conditions. Actual Values depend upon the ambient temperature of the installation location. Please consult factory for your specific requirements.

AEON Model	Watts	Delivered Lumens	HID Equivalent	Energy Savings*	Current Draw (mA)						Net Weight	EPA (Sq. Ft.)
					120V	208V	240V	277V	347V	480V		
HL-AF-520WD	520W	97,500	2000W	74%	4561	2632	2281	2086	1665	1204	46 lbs. (21 Kg.)	2.5
HL-AF-750WD	750W	126,500	3000W	75%	6579	3796	3289	3008	2402	1736	50 lbs. (22.5 Kg.)	2.5
HL-AF-1200WD	1200W	185,700	4000W	70%	10526	6073	5263	4813	3842	2778	63 lbs. (28.4 Kg.)	2.85

* Does not include Ballast Loss, Maintenance, Replacement Lamp Savings and Disposal Costs which amount to an additional Savings of 30~50%!

3 Popular Delivered Lumen Packages to suit a Variety of Indoor Applications

- Patented Revolutionary Aerodynamic Design.
- UV Stabilized Electrostatic Finish and Stainless Steel Hardware to withstand Extreme Conditions.
- Incredibly Long Lifespan of over 100,000 Hours.
- Solid-State: No Moving Parts. Ideal for High Vibration Areas (ANSI C136.31, 3G Rated). Simple, Reliable, and Affordable, Maintenance-free Design.
- Advance Technology for Luminaire Longevity: Integrated Power Supply Operates at Lower Temperature and at incredible 95%+ Efficiency.
- 6kV (Line-Line) and 10kA / 20kV (Line-Ground) Surge Protection against Over Voltage, Short Circuiting, and Over Temperature.
- Suitable for Ambient Temperatures: -40°F - +122°F (-40°C - +50°C).
- RoHS Compliant: No Lead, Mercury, Toxic Gases or any Hazardous Materials. Facilitates LEED® points.
- Environmentally Friendly: 98% Recyclable.
- Lowest Total Cost of Ownership. Shortest Payback Period and a High ROI.
- Standard Included: Instant On/Off, Continuous Dimming, Prewired Sheathed Cord, Hoist Hook and 3.3 ft (1m) Stainless Steel Safety Cable.
- Meets/Exceeds National and International Standards



Standard LED Optics

AEON™ Proprietary Glare-Free LED Optics

Multi-Voltage Options

120-277VAC / 347-480VAC

NEXGEN PRODUCTS

2-for-1 Replacement
More Light
Less
Luminaires



98% RECYCLABLE

NO
LEAD, MERCURY, TOXIC GASES
OR HEAVY METALS

SAVE UP TO
75%
ON YOUR
ENERGY COSTS



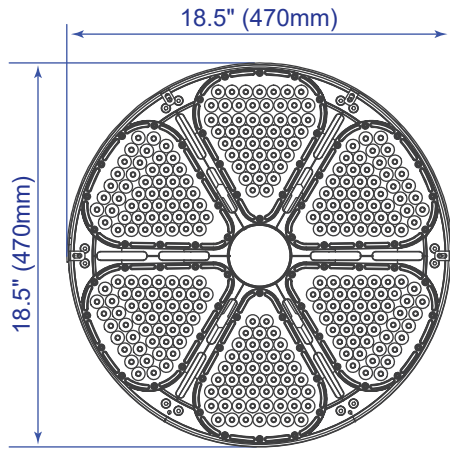
U.S. Patents:

D866,832, D866,833
D866,834, D866,835

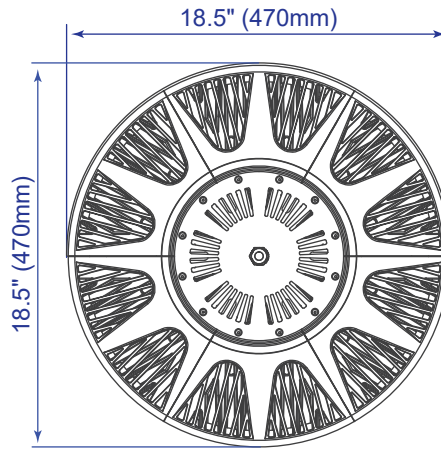
HyLite is providing this information to the general public only. Please note that all products contained herein are either Trademarked, Copyrighted, have Patents and/or Patents Pending. Any use of these Designs is Strictly Prohibited. HyLite LED, LLC. Protects its Proprietary Information Vigorously in the Courts of the United States of America.

© 2018-2024 HyLite LED, LLC., USA. All Rights Reserved. Aeon and the Products described in it are Copyrighted by HyLite LED, LLC., USA, with All Rights Reserved. This document may not be Copied in Whole or Part, without the Express Written Consent of HyLite LED, LLC., USA.

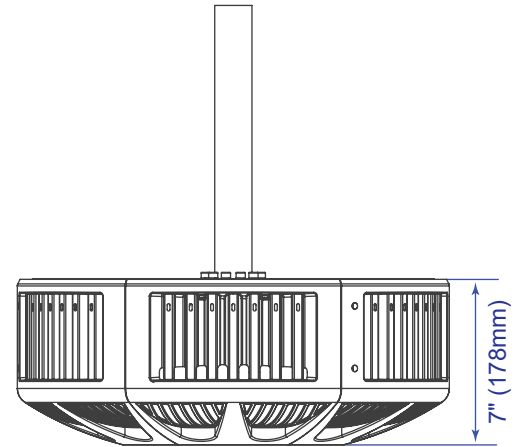
AF-520WD and AF-750WD Dimensions



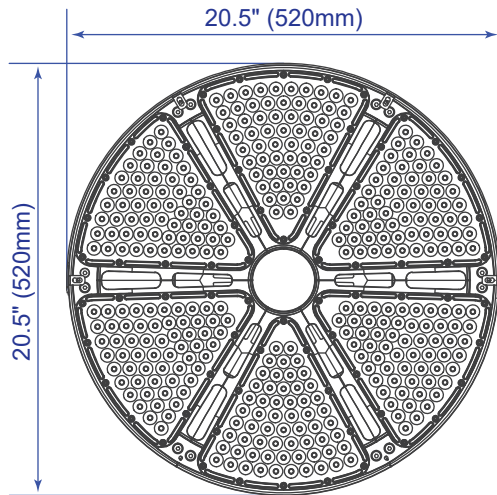
Top View



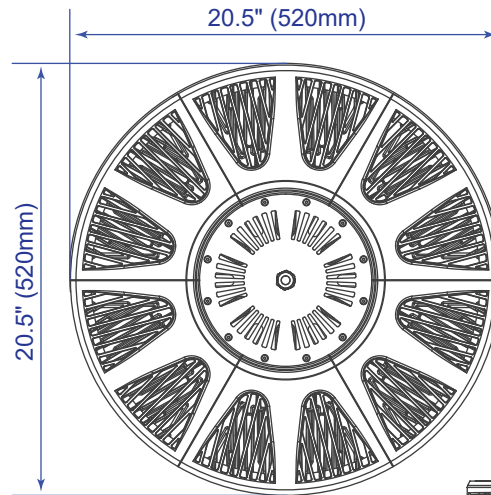
Bottom View



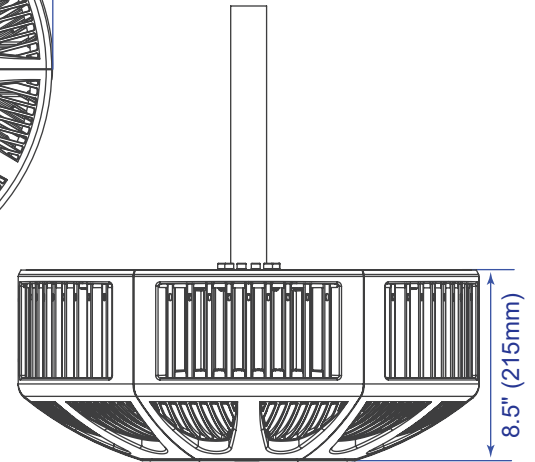
AF-1200WD Dimensions



Top View



Bottom View



Ordering Nomenclature:

HL	AF	520WD	50K	N4	277V	PM	WH
COMPANY	SERIES	WATTS	CCT	NEMA SPREAD	VOLTAGE	OPTIONS	COLOR
		520WD 750WD 1200WD	40K = 4000K 50K = 5000K 57K = 5700K	2 3 4 5 6	277V = 120V-277V 480V = 347V-480V	PM = Pendant Mount LM = Loop Mount	WH = White; BZ = Bronze GY = Gray; BK = Black
			Important Note: Standard CCT: 5000K Other CCT'S available as "Special Order" only and with Longer Lead Times				Important Note: Standard Color: Signal White. Other Colors available as "Special Orders" only and with Longer Lead Times