

**HYLITE™**  
LED Lighting

**NEXGEN**  
PRODUCTS

Available in Two Popular Lumen Packages with Various NEMA Beam Spreads to suit a Variety of Sports Lighting Applications

- 170+ LpW
- IP67
- Glare-Free, UGR <19

**AEON™**  
PNR SERIES

With Enhanced Glare-Free Illumination, the AEON PNR Series Sports Light Provides Crisp Illumination, avoiding any Visual Discomfort. AEON's Proprietary Optics produce the Ideal Light Distribution for Variety of Sports Lighting applications, while saving you up to 75% in Energy use compared to Traditional HID Lighting.

Engineered with State-of-the-Art technology for Efficiency, Glare Control, and Uniformity, the AEON PNR Series Sports Light features Instant On/Off, Dimming, Full Controllability, High Energy Efficiency and Flicker-Free Lighting.

The AEON AEON PNR Series Sports Light delivers Simple, Smart and Easy-to-use Sports Lighting Solutions that provide Advanced Functionality, Versatility and Operational Efficiency.

2 Popular Lumen Packages to Suit a Variety of Indoor and Outdoor Applications:

500W: 91,300 Lumens

750W: 113,880 Lumens



SAVE UP TO  
**75%**  
ON YOUR  
ENERGY COSTS

**2-for-1**  
Replacement.  
More Light  
Less  
Luminaires

Proprietary  
& Patented  
Designs!

**Illuminating facts about High Performance AEON™ LED PNR Series Sports Light - Better for your Eyes, Better for the Planet.**

What makes the AEON™ LED Sports Light your Lighting Solution of Choice?

**The Ultimate Sports Light for Versatility**

- The Most Powerful Sports Light Luminaire with Highest Reliability Level: Incredibly High 95% Total Efficiency and with Highest Efficacy in its own Class: Up to 170 Delivered LpW. More Light with Fewer Luminaires.
- Heavy-Duty, Lightweight and Durable Die-Cast Design for High Wear Resistance: Withstands Harsh, Extreme Outdoor Conditions and Corrosive Environments.
- Proprietary Thermal Efficient Design with Passive Cooling Maximizes Heat Dissipation for Longer Life of the Luminaire. Designed for Greater Life Expectancy in Warmer Climates.
- Patented Revolutionary Aerodynamic Design for Minimal Wind Resistance.
- State-of-the-Art, Aesthetically Pleasant Compact Design with No Exposed Electronics or Wiring. Rugged, Weather-tight Design, IP67 (NEMA 4X) Rated for Wet location.
- Available with Optional Tempered Glass Lens for additional Safety and UV Protection.
- Patented Cross-Vent Convection Design for Longer Life of LED Package and Electronic Components.
- Adjustable in 7.5° Increments: 0-90° Orient and 270° Tilt Angle.
- Proprietary Glare-Free Illumination: No Uncomfortable Sensation. UGR <19.
- Precise, Custom-engineered Optics with Controlled Intensity and Uniformity: Maintains Consistent Delivered Foot Candles over Luminaire's Life.
- High Color Rendition showing True Colors: CRI >85+.
- Proprietary Design offers Uniform and Constant Light Levels throughout the Life of the Luminaire with Minimal Lumen Depreciation.
- Avoids Light Pollution and Trespass: Optical Accuracy. Directs Light precisely where needed without Spill.
- Advance Technology for Luminaire Longevity: Integrated Power Supply Operates at Lower Temperature and at incredible 95% Efficiency.
- Technology within the Luminaire: No Outside Exposure to any Sensitive Electronic Components.
- Ultra-Low EMI eliminates Electrical Interference with surrounding Electronic Systems.



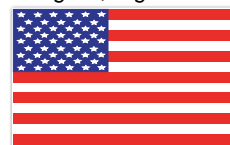
98%  
RECYCLABLE  
**NO**  
LEAD, MERCURY, TOXIC  
GASES OR HEAVY METALS

**100%**  
Project  
Financing  
Available

Additional Options available:

- Full RGB Colors and DMX Controls
- Extended Warranty
- Complete Package with Poles, Cross-Arms & Platforms

Designed, Engineered &



Assembled in the USA



Contract  
47QSWA20D0040

AEON Model	Watts	Delivered Lumens	HID Equivalent	Energy Savings*	Current Draw (mA)						Net Weight	EPA (Sq. Ft.)
					120V	208V	240V	277V	347V	480V		
HL-APS-500WD	500W	91,300	2000W	75%	4386	2530	2193	2006	1601	1157	43 lbs. (19.5 Kg.)	2.25
HL-APS-500WD-TG											48 lbs. (22 Kg.)	
HL-APS-750WD	750W	113,880	3000W	75%	6579	3796	3289	3008	2402	1736	46 lbs. (21 Kg.)	2.25
HL-APS-750WD-TG											52 lbs. (23.4 Kg.)	

TG = With Tempered Glass Lens

\* Does not include Ballast Loss, Maintenance, Replacement Lamp Savings and Disposal Costs which amount to an additional Savings of 30~50%!

2 Popular Lumen Packages to Suit a Variety of Indoor and Outdoor Applications

## NEXGEN PRODUCTS

**2-for-1 Replacement. More Light Less Luminaires**

AEON™ Proprietary Glare-Free LED Optics



Standard LED Optics

- Rugged, Durable and Compact Luminaire stands up to the most demanding Elements and is Excellent for use in Hot & Humid Climates and Suitable for use in Corrosive Environments.
- UV Stabilized Electrostatic Finish and Stainless Steel Hardware to withstand Extreme Outdoor Conditions.
- Neighborhood-Friendly: No Spillage or Sky Glow.
- Incredibly Long-Life Span of over 100,000 Hours.
- Save Labor Cost Significantly: Quick & Easy Installation Process.
- Simple, Reliable, and Affordable, Maintenance-free Design.
- Advanced Functionality and User Friendly with Quick Connect System.
- Solid-State: No Moving Parts. Ideal for High Vibration Areas (ANSI C136.31, 3G Rated).
- Standard Included: Instant On/Off, Continuous Dimming, Prewired Sheathed Cord, and 3.3 ft. (1M) Stainless Steel Safety Cable.
- Multi-Voltage: Available in 120-277VAC and 347-480VAC.
- 6kV (Line-Line) and 10kA/20kV (Line-Ground) Surge Protection against Over Voltage, Short Circuit, and Over Temperature.
- Suitable for Ambient Temperatures: -40°F~+122°F (-40°C~+50°C).
- RoHS Compliant: No Lead, Mercury, Toxic Gases or any Hazardous Materials. Facilitates LEED® points.
- Environmentally Friendly: 98% Recyclable.
- Low Total Cost of Ownership. Shortest Payback Period and a High ROI.
- Meets/Exceeds National and International Standards



Shown with Optional Tempered Glass Lens

Multi-Voltage Options

120-277VAC / 347-480VAC

SAVE UP TO **75%** ON YOUR ENERGY COSTS



98% RECYCLABLE



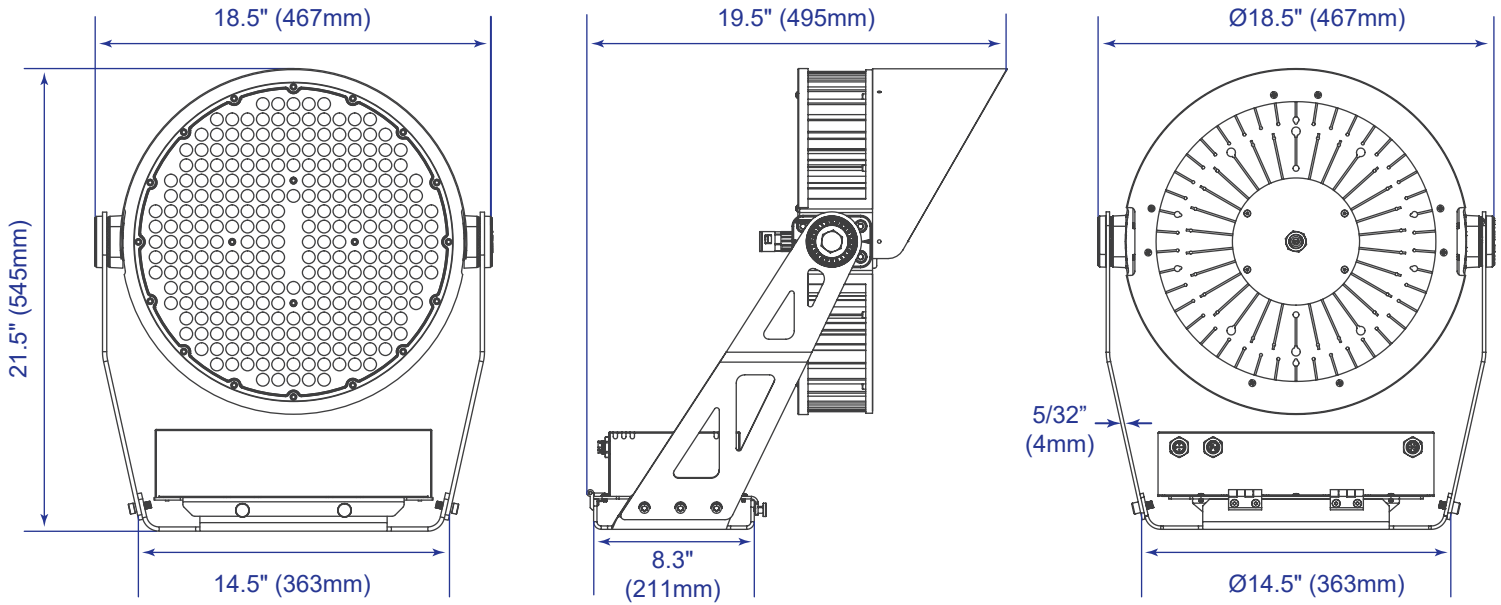
**NO** LEAD, MERCURY, TOXIC GASES OR HEAVY METALS



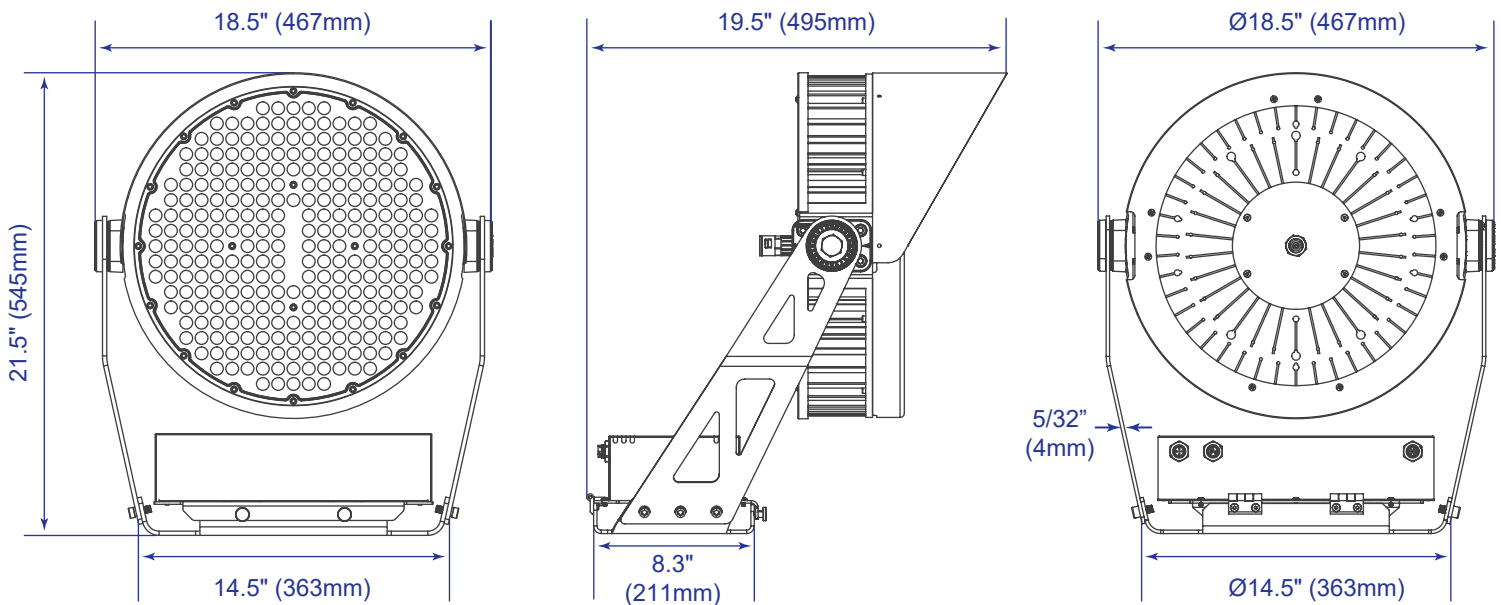
As part of the company's continuous product improvement program, HyLite reserves the right to change materials or modify the design of its product without notification. All Specifications subject to change without notice. All values are design and/or typical values when measured under laboratory conditions. Actual Values depend upon the ambient temperature of the installation location. Please consult factory for your specific requirements.



APS-500 and APS-750W Dimensions with Polycarbonate Lens



APS-500 and APS-750W Dimensions with Tempered Glass Lens



Ordering Nomenclature:

HL	—	APS	—	500WD	—	50K	—	N4	—	277V	—	WH	—	TG
<b>COMPANY</b>		<b>SERIES</b>		<b>WATTS</b>		<b>CCT</b>		<b>NEMA SPREAD</b>		<b>VOLTAGE</b>		<b>COLOR</b>		<b>OPTIONS</b>

500WD  
750WD

40K = 4000K  
50K = 5000K  
57K = 5700K

3  
4  
6

277V = 120V-277V  
480V = 347V-480V

WH = White  
BZ = Bronze  
GY = Gray  
BK = Black

See Options, below

Options:

- TG Tempered Glass
- PCK-7 Photo Control Receptacle Kit Only (Photocell not included)

Important Note:

Standard CCT: 5000K  
Other CCT'S available as "Special Order" only and with Longer Lead Times

Important Note:

Standard Color: Signal White. Other Colors available as "Special Orders" only and with Longer Lead Times