

The AEON LED RGBA/RGBW Luminaire delivers Simple, Smart and Easy-to-use Full-Spectrum Color Flood Lighting Solutions that provide Advanced Functionality, Versatility and Operational Efficiency.

The possibilities are endless. Designed for both Indoor & Outdoor use, the AEON LED RGBA/RGBW Luminaire is suitable for Facade, Architectural and Sports Lighting applications.

AEON's Proprietary Optics produce the Ideal Light Distribution and Beam Angles for Variety of Full-Spectrum Color Lighting Applications, while saving you up to 75% in Energy use compared to Traditional Lighting.

With impressive total Lumen Output of up to 28,234 Lumens, Enhanced Glare-Free Illumination and various Beam Spreads, AEON LED RGBA/RGBW Luminaire Provides Crisp Illumination, avoiding any Visual Discomfort.

Engineered with State-of-the-Art technology for Efficiency, Glare Control, and Uniformity, the AEON LED RGBA/RGBW Luminaire features Instant On/Off, Variable Dimming, Full Controllability - Wired or Wireless, Flicker-Free Lighting, High Energy Efficiency, and Complete Flexibility.

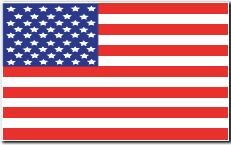


NO  
LEAD, MERCURY, TOXIC  
GASES OR HEAVY METALS



## NEXGEN PRODUCTS

Designed, Engineered &



Assembled in the USA

Illuminating facts about High Performance AEON™ LED RGBA/RGBW Luminaire  
Better for your Eyes, Better for the Planet.

What makes the AEON™ LED RGBA/RGBW Luminaire  
your Lighting Solution of Choice?

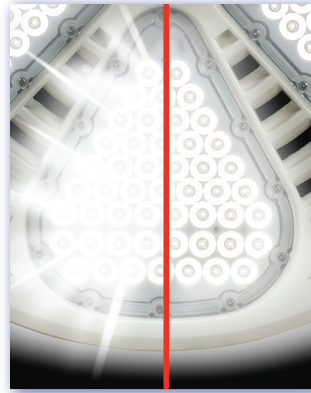
IP67  
Glare-Free  
UGR <19

- Full-Spectrum Color Luminaire with the Highest Reliability Level: Incredibly High 95% Total Efficiency and with the Highest Efficacy in its own Class. More Light with Fewer Fixtures.
- Technology within the Fixture: No Outside Exposure to any Sensitive Electronic Components. Offers Advanced Functionality and User Friendly features with Quick Connect Wiring System. No Manual Wiring Required for Dimming or Controls - Saving Time and Labor for Installation.
- Operational Flexibility: Adaptable to Various Intelligent Lighting Controls - Wired or Wireless, Wi-Fi, Zigbee, Dali, AirMesh, Hybrid Networked Lighting Controls, etc. Variable Dimming Control: 0-10VDC
- User Friendly Features: Lenses, Modules and Drivers are Field-Changeable. Saves Time, Labor and Money....no need to replace the entire Luminaire!
- Heavy-duty and Durable Die-Cast Design for High Wear Resistance: Withstands Harsh, Extreme Outdoor Conditions and Corrosive Environments.
- Proprietary Thermal Efficient Design with Passive Cooling Maximizes Heat Dissipation for Longer Life of the Luminaire. Designed for Greater Life Expectancy in Warmer Climates. Patented Cross-Vent Convection Design for Longer Life of LED Package and Electronics.
- Patented Revolutionary Aerodynamic Design for Minimal Wind Resistance.
- State-of-the-Art, Aesthetically Pleasant Compact Design with No Exposed Electronics or Wiring. Rugged, Weather-tight Design, IP67 Rated for Complete Protection against Dust, Debris and Water Infiltration.
- Proprietary Glare-Free Illumination: No Visual Discomfort. UGR <19.
- Precise, Custom-engineered Optics with Controlled Intensity and Uniformity: Maintains Consistent Delivered Foot Candles over the Luminaires life.
- High Color Rendition showing True Colors: CRI >85 (Amber/White).
- Proprietary Design offers Uniform and Constant Light Levels throughout the Life of the Luminaire with Minimal Lumen Depreciation.
- Neighborhood-Friendly - Avoids Light Pollution and Trespass: Optical Accuracy. Directs Light precisely where needed without any Spillage.
- Advance Technology for Luminaire Longevity: Integrated Power Supply Operates at Lower Temperature and at incredible 95% Efficiency.
- Ultra-Low EMI (THD <20) eliminates Electrical Interference with surrounding sensitive Electronic Systems.
- Excellent for 4K, Ultra-HD and HDTV Broadcasting, Digital Photography and Flicker-free Slow-Motion Recording for Optimal Television Viewing.
- Available with Optional Tempered Glass Lens for additional Safety and UV Protection

AEON Model	Watts	Full Spectrum Delivered Lumens	Surge Protection	Maximum Input Line Current (mA)				Net Weight	EPA (Sq. Ft.)
				120V	208V	240V	277V		
HL-AEF-500W-RGBA-DMX or HL-AEF-500W-RGBW-DMX	500W	Red - 5,633 lm Green - 11,314 lm Blue - 1,573 lm White - 9,714 lm	6kV Line-Line  10kA / 20kV Inline	4386	2530	2193	2006	31 lbs. (14 Kg.)	1.3

- Save Labor Cost Significantly: Quick & Easy Installation Process.
- Simple, Reliable, and Affordable, Maintenance-free Design.
- UV Stabilized Electrostatic Finish and Stainless Steel Hardware to withstand Extreme Outdoor Conditions.
- Incredibly Long-Life Span of over 100,000 Hours.
- Solid-State: No Moving Parts. Ideal for High Vibration Areas (ANSI C136.31, 3G Rated).
- Standard Included: Instant On/Off, Continuous Dimming, Prewired Sheathed Cord and a Safety Eye with Stainless Steel Safety Cable.
- Universal Voltage: 120-277VAC
- Adjustable in 7.5° Increments: 0-90° Orient and 270° Tilt Angle.
- Scalable LED Modules in NEMA 2, 3, 4, 5 and 6 Beam Spreads allows for Optimized Configuration for different applications.
- 6kV (Line-Line) and 10kA / 20kV Inline Surge Protection against Over Voltage, Short Circuiting, and Over Temperature.
- Ambient Temperature: -40°F~+113°F (-40°C~+45°C).
- RoHS Compliant: No Lead, Mercury, Toxic Gases or any Hazardous Materials. Facilitates LEED® points.
- Environmentally Friendly: 98% Recyclable.
- Low Total Cost of Ownership. Shortest Payback Period and a High ROI.
- Meets/Exceeds National and International Standards

Standard LED Optics

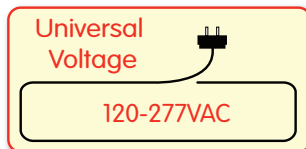


AEON™ Proprietary Glare-Free LED Optics



Additional Options available:

- With Remote Drivers
- Extended Warranty
- Complete Package with Poles, Cross-Arms & Platforms



Hylite is providing this information to the general public only. Please note that all products contained herein are either Trademarked, Copyrighted, and/or have Patents or Patents Pending. Any use of these Designs is Strictly Prohibited. Hylite LED, LLC. Protects its Proprietary Information Vigorously in the Courts of the United States of America.

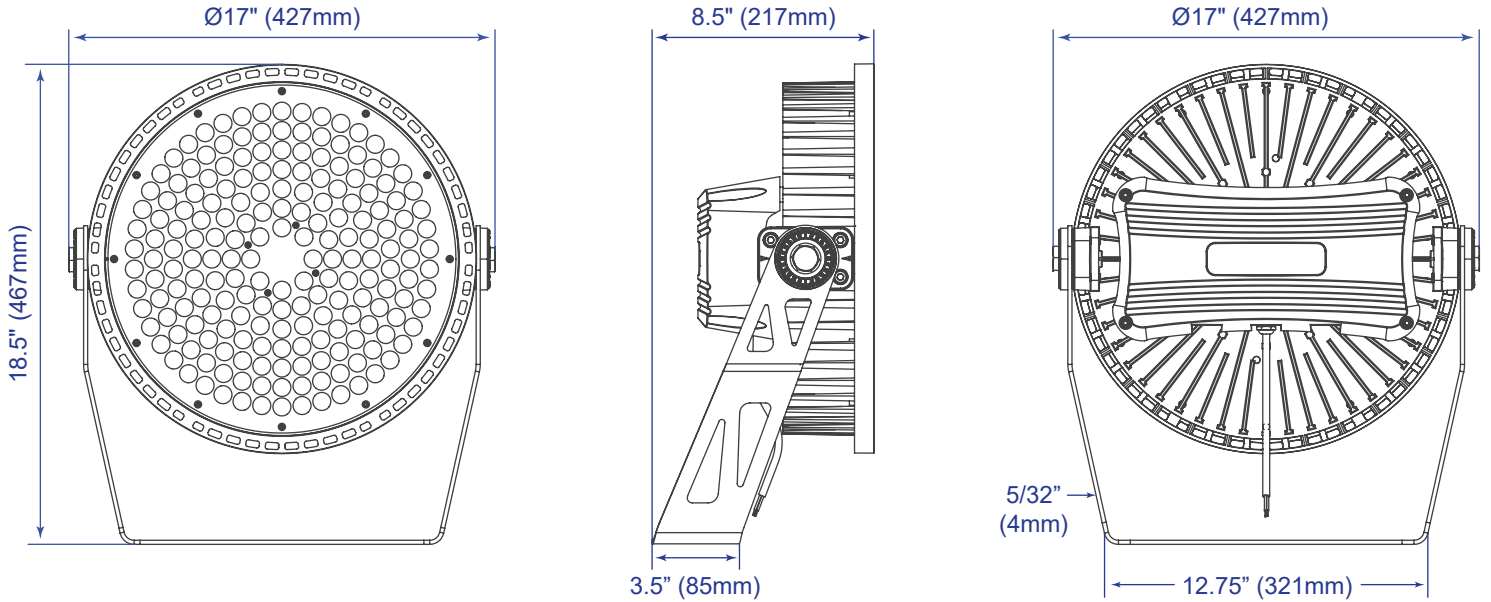


98% RECYCLABLE

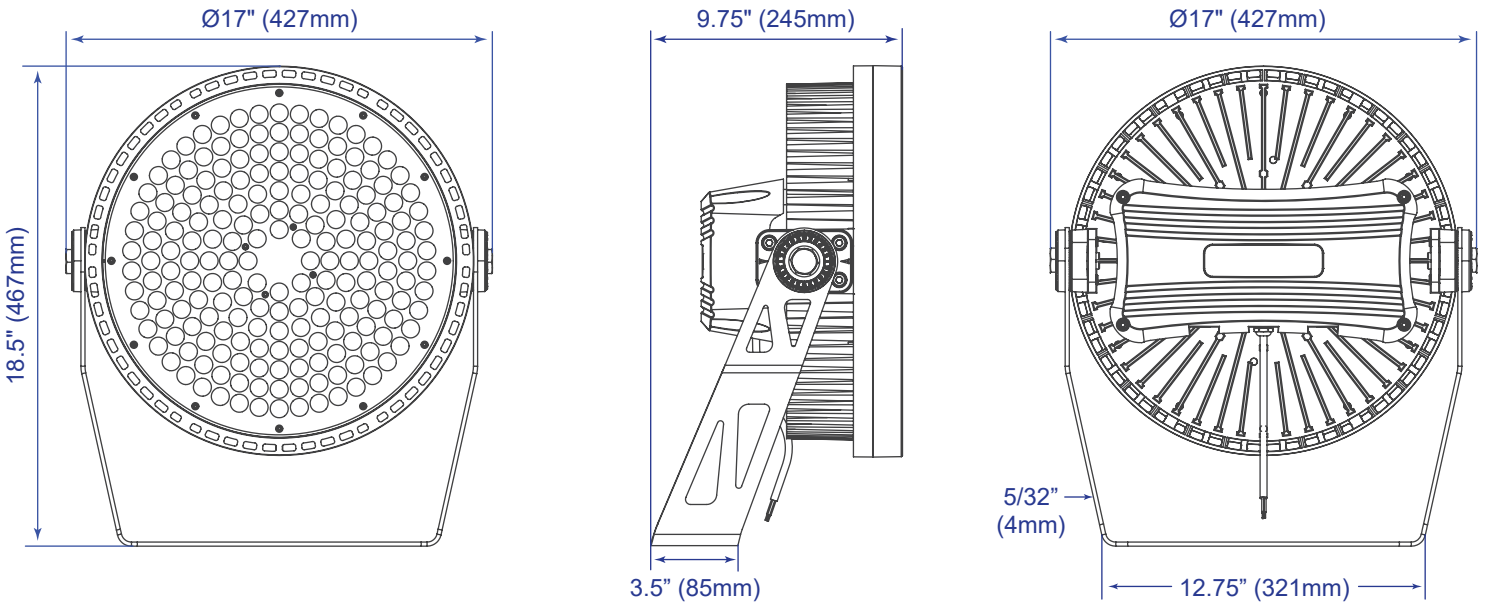


**NO**  
LEAD, MERCURY, TOXIC GASES  
OR HEAVY METALS

230W, 310W and 500W AEON™ LED RGB/A/RGBW Luminaire Dimensions with Polycarbonate Lens



230W, 310W and 500W AEON™ LED RGB/A/RGBW Luminaire Dimensions with Tempered Glass Lens



Ordering Nomenclature:

HL	AEF	500W	RGBW	DMX	277V	N4	WH
COMPANY	SERIES	WATTS	RGB/A/RGBW	DMX	VOLTAGE	NEMA SPREAD	COLOR

Important Note: "Special Order" only with Longer Lead Times

230W  
310W  
500W

RGBA  
RGBW

277V = 120V-277V

2  
3  
4  
5  
6

WH = White  
GY = Gray  
BK = Black

Options:

TG Tempered Glass      PCK-7 Photo Control Receptacle Kit Only (Photocell not included)

Important Note:

Standard Color: White  
Gray and Black available as "Special Orders" only and with Longer Lead Times