

HYLITE™
LED Lighting

Available in Five Popular Lumen Packages and in NEMA 2, 3, 4, 5 and 6 (18°, 30°, 60°, 90° and 120°) Beam Spreads with Loop Mount Option to suit a Variety of Indirect Lighting Applications

AEON™
ECO SERIES

AEON™
Indirect Luminaires

- 170+ LpW
- Glare-Free, UGR <19
- IP67

NEXGEN
PRODUCTS

With Enhanced Glare-Free Illumination and various popular Beam Spreads, AEON Indirect Lighting Provides Crisp Illumination, avoiding any Visual Discomfort.

AEON's Proprietary Optics produce the Ideal Light Distribution and Beam Spreads for Variety of Indirect Lighting applications, while saving you up to 79% in Energy use compared to Traditional Lighting.

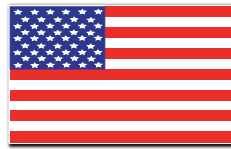
Engineered with State-of-the-Art technology for Glare Control, and Uniform Illumination, AEON Indirect Lighting features Instant On/Off, Dimming, Full Controllability, High Energy Efficiency, Flicker-Free Lighting and Complete Flexibility.

AEON ECO Series Flood Light delivers a Simple, Smart and Easy-to-use Flood Lighting Solution to provide Advanced Functionality, Versatility and Operational Efficiency.



3 Popular Lumen Packages:
230W: 39,100lm
310W: 51,150lm
500W: 80,000lm

Designed, Engineered &



Assembled in the USA



Illuminating facts about High Performance AEON™ LED Luminaires Better for your Eyes, Better for the Planet.

What makes the AEON™ Indirect Lighting Luminaires your Lighting Solution of Choice?

- The most powerful Indirect Lighting Luminaire with the Highest Reliability Level: Incredibly High 95% Total Efficiency and with the Highest Efficacy in its own Class: Up to 170+ Delivered LpW. More Light with Fewer Fixtures.
- Heavy-duty, Lightweight and Durable Die-Cast Design for High Wear Resistance: Withstands Harsh, Extreme Outdoor Conditions and Corrosive Environments.
- Proprietary Thermal Efficient Design with Passive Cooling Maximizes Heat Dissipation for Longer Life of the Luminaire. Designed for Greater Life Expectancy in Warmer Climates.
- State-of-the-Art, Aesthetically Pleasant Compact Design with No Exposed Electronics or Wiring. Rugged, Weather-tight Design. IP67 Rated for Wet location.
- Patented Convection Design for Longer Life of LED Package and Electronics
- Multiple Beam Spreads allows for Optimized Configuration for Different Applications.
- Proprietary Glare-Free Illumination: No Visual Discomfort. UGR <19.
- Precise, Custom-engineered Optics with Controlled Intensity and Uniformity: Maintains Consistent Delivered Foot Candles over the Luminaires life.
- High Color Rendition showing True Colors: CRI >85.
- Proprietary Design offers Uniform and Constant Light Levels throughout the Life of the Luminaire with Minimal Lumen Depreciation.
- Optical Accuracy. Directs Light precisely where needed without any Spillage.
- Technology within the Fixture: No Outside Exposure to any Sensitive Electronic Components.
- Adaptable to Various Intelligent Lighting Controls: Wired or Wireless.
- Ultra-Low EMI eliminates Electrical Interference with surrounding Electronic Systems.



Shown with Optional Tempered Glass Lens



98%
RECYCLABLE



NO
LEAD, MERCURY, TOXIC
GASES OR HEAVY METALS



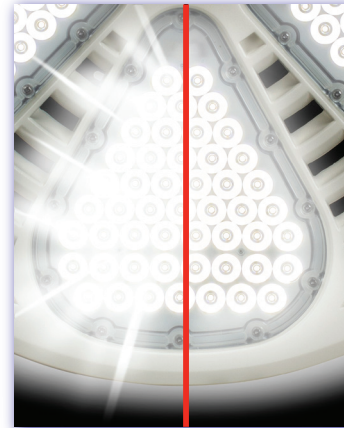
SAVE UP TO
79%
ON YOUR
ENERGY COSTS

AEON Model	Watts	Delivered Lumens	HID Equivalent	Energy Savings*	Current Draw (mA)						Net Weight	EPA (Sq. Ft.)
					120V	208V	240V	277V	347V	480V		
HL-AEF-230WD	230W	39,100	1000W	77%	2018	1164	1009	923	736	532	27 lbs. (12 Kg.)	1.3
HL-AEF-310WD	310W	51,150	1500W	79%	2719	1569	1360	1243	993	718	28 lbs. (12.5 Kg.)	1.3
HL-AEF-500WD	500W	80,000	2000W	75%	4386	2530	2193	2006	1601	1157	31 lbs. (14 Kg.)	1.3

NEXGEN
PRODUCTS

* Does not include Ballast Loss, Maintenance, Replacement Lamp Savings and Disposal Costs which amount to an additional Savings of 30~50%!

- Rugged, Durable and Compact Luminaire stands up to the most demanding Elements and is Excellent for use in Hot & Humid Climates and Suitable for use in Corrosive Environments.
- UV Stabilized Electrostatic Finish and Stainless Steel Hardware to withstand Extreme Outdoor Conditions.
- No Light Spillage.
- Incredibly Long-Life Span of over 100,000 Hours.
- Advance Technology for Luminaire Longevity: Integrated Power Supply Operates at Lower Temperature and at incredible 95%+ Efficiency.
- Advanced Functionality and User Friendly with Quick Connect System: Lenses, Modules and Drivers are Field-Changeable.
- Solid-State: No Moving Parts. Ideal for High Vibration Areas (ANSI C136.31, 3G Rated). Simple, Reliable, and Affordable, Maintenance-free Design.
- Standard Included: Instant On/Off, Continuous Dimming and Prewired Sheathed Cord.
- 6kV (Line-Line) Surge Protection and 10kA / 20kV Inline Surge Protection against Over Voltage, Short Circuiting, and Over Temperature.
- Suitable for Ambient Temperatures: -40°F~+122°F (-40°C~+50°C).
- RoHS Compliant: No Lead, Mercury, Toxic Gases or any Hazardous Materials. Facilitates LEED® points.
- Environmentally Friendly: 98% Recyclable.
- Save Labor Cost Significantly: Quick & Easy Installation Process.
- Lowest Total Cost of Ownership. Shortest Payback Period and a High ROI.
- Meets/Exceeds National and International Standards.



Standard LED Optics

AEON™ Proprietary Glare-Free LED Optics

2-for-1 Replacement. More Light Less Luminaires

SAVE UP TO
79%
ON YOUR ENERGY COSTS

Multi-Voltage Options
120-277VAC / 347-480VAC

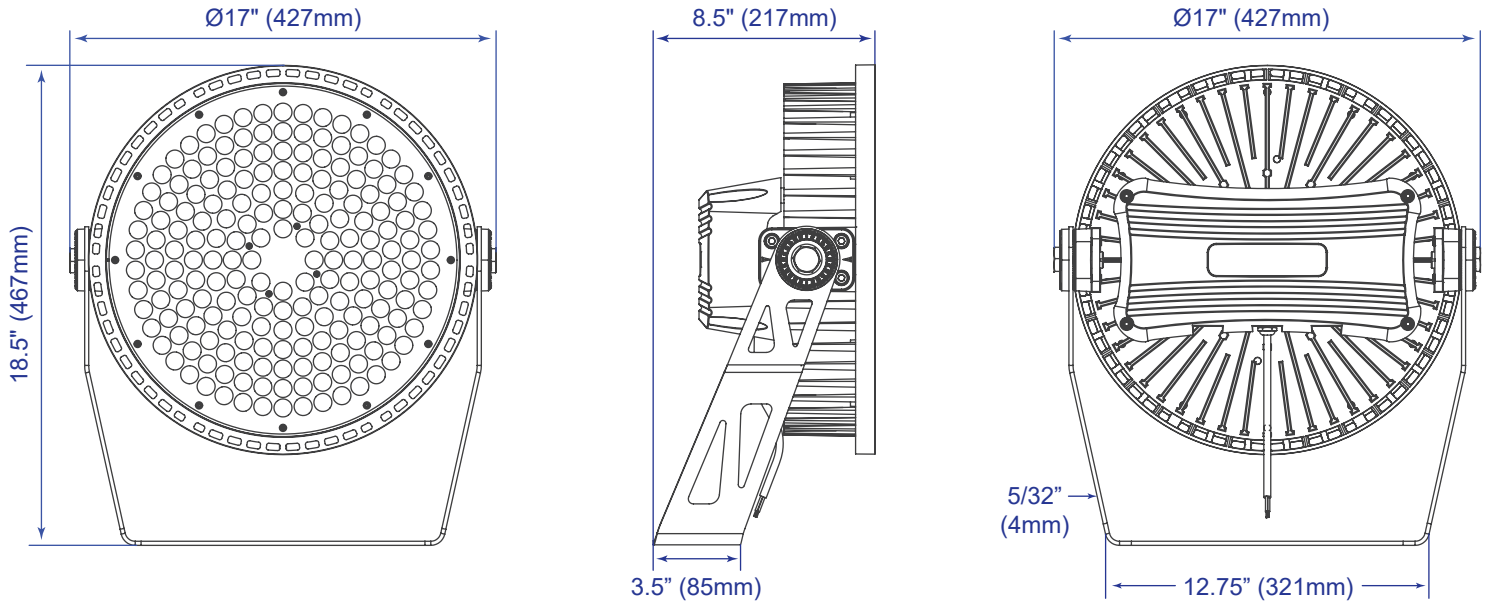


Ordering Nomenclature:

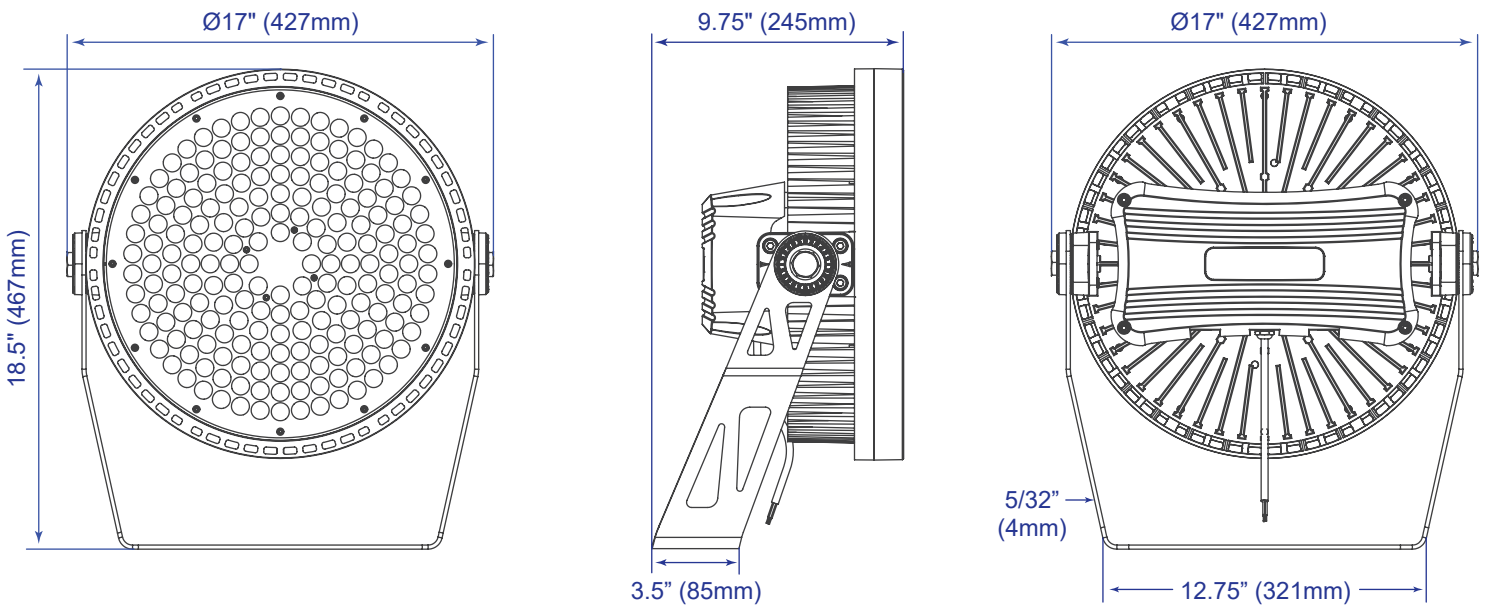
HL	—	AEF	—	310WD	—	50K	—	N4	—	277V	—	LM	—	WH
COMPANY		SERIES		WATTS		CCT		BEAM TYPE		VOLTAGE		MOUNTING		COLOR
				230WD 310WD 500WD		30K = 3000K 40K = 4000K 50K = 5000K		N2 N3 N4 N5 N6		277V = 120V-277V 480V = 347V-480V		Loop Mount		WH = White BZ = Bronze GY = Gray BK = Black
						Important Note: Standard CCT: 5000K 3000K & 4000K available as "Special Order" only and with Longer Lead Times								Important Note: Standard Color: Signal White (WH) Other Colors available as "Special Orders" only and with Longer Lead Times

As part of the company's continuous product improvement program, HyLite reserves the right to change materials or modify the design of its product without notification. All Specifications subject to change without notice. All values are design and/or typical values when measured under laboratory conditions. Actual Values depend upon the ambient temperature of the installation location. Please consult factory for your specific requirements.

HL-AEF-230WD, HL-AEF-310WD and HL-AEF-500WD Dimensions with Polycarbonate Lens



HL-AEF-230WD, HL-AEF-310WD and HL-AEF-500WD Dimensions with Tempered Glass Lens



Hylite is providing this information to the general public only. Please note that all products contained herein are either Trademarked, Copyrighted, and/or have Patents or Patents Pending. Any use of these Designs is Strictly Prohibited. Hylite LED, LLC. Protects its Proprietary Information Vigorously in the Courts of the United States of America.

© 2018-2024 Hylite LED, LLC., USA. All Rights Reserved. Aeon and the Products described in it are Copyrighted by Hylite LED, LLC., USA, with All Rights Reserved. This document may not be Copied in Whole or Part, without the Express Written Consent of Hylite LED, LLC., USA.